

CPY Series - Version C

CPY250® LED Canopy/Soffit Luminaire

Rev. Date: V705/18/2023

Product Description

The CPY250® LED Canopy/Soffit Luminaire has an extremely thin profile constructed of rugged cast aluminum. It can be surface mounted easily from below the canopy deck and can be pendant mounted. Direct imaging of the LEDs is eliminated with a highly efficient patterned flat or 0.91" (23mm) drop glass lens.

Applications: Petroleum canopies, CNG fueling stations, soffits

Performance Summary

Assembled in the USA by Cree Lighting from US and imported parts

Initial Delivered Lumens: Up to 21,000

Efficacy: Up to 165 LPW

CRI: Minimum 70 CRI (40K, 50K, 57K); 80 CRI (30K); 90 CRI (40K, 50K)

CCT: 3000K, 4000K, 5000K, 5700K

Limited Warranty*: 10 years for luminaire/10 years for Colorfast DeltaGuard® finish/5 years for BML sensor/up to 5 years for Synapse® accessories/1 year for field-installed accessories

IP66 Rated (select models only)

Class I, Division 2 Hazardous Location for select models

* See <http://creelighting.com/warranty> for warranty terms. For Synapse accessories, consult Synapse spec sheets for details on warranty terms.

Accessories

Field-Installed	
Direct Mount Luminaires	
Canopy Upgrade Kits (18 ga. steel, except where noted)	
CPY-AP304* - for use with Cree Lighting CAN-304 luminaires, 16 ga. 5052 aluminum	
XA-BXCCM+ - for use with Jet-Philips, 21.60" [549mm] square	
XA-BXCCN+ - for use with ElSCO Franciscan, 22.06" [560mm] square	
XA-BXCCP+ - for use with LSI Dakota or Masters, 22.50" [572mm] square	
XA-BXCCQ+ - for use with Whiteway Riviera or Rig-A-Lite, 20.60" [523mm] square	
XA-BXCCR+ - for use with ElSCO Merrit, 18.06" [459mm] square	
XA-BXCCS+ - for use with LSI Richmond or Whiteway Civic, 23.00" [584mm] L x 13.00" [330mm] W	
Direct Mount Junction Box/Stem Kit	
XA-BXCCJBOX - 6.0" [152mm] H x 3/4" [19mm] NPT Stem	
- Watertight	
- Rated for feed through 8 (4 in, 4 out) #12 AWC conductors	
Direct Mount Beauty Plates	
XA-BXCCBP+ - 26.17" [665mm] Beauty Plate Only (18 ga. steel)	
XA-BXCCBPB12+ - 26.17" [665mm] Beauty Plate (18 ga. steel) w/12" [305mm] Backer Plate (16 ga. steel)	
- For use in canopies where deck opening is larger than what is required for mounting the CPY250 luminaire. Maximum deck opening 10.75" x 15" [183mm x 375mm]	
XA-BXCCBPB16+ - 26.17" [665mm] Beauty Plate (18 ga. steel) w/16" [406mm] Backer Plate (16 ga. steel)	
- For use in canopies where deck opening is larger than what is required for mounting the CPY250 luminaire. Maximum deck opening 12" x 15" [305mm x 375mm]	
Pendant Mount Luminaires	
Pendant Mount Kits	
XA-PS12KIT* - 5" [127mm] pendant	
XA-PS18KIT* - 11" [279mm] pendant	
XA-PS22KIT* - 15" [381mm] pendant	
- Includes two conduit fittings and 3/4-14 NPT pipe threaded on two ends	
Synapse® SimplySnap 10V Interface	
DIM10-220F	
- 120V-277V	
- Requires other Synapse components to complete system	
- Refer to DIM10-220F spec sheet for details	

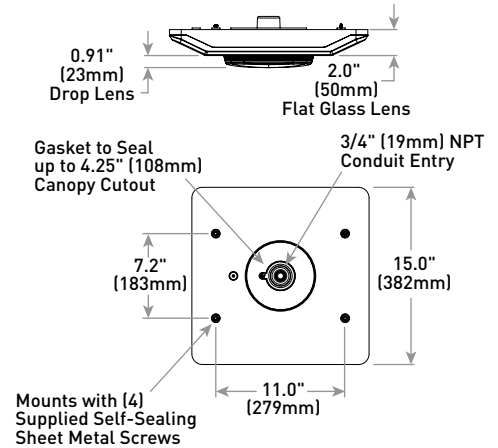
DM Mount / DM Mount with HZ Option



Flat Lens



Drop Lens



Weight
12.5 lbs. (5.7kg)

Refer to Page 4 for additional mounts.

* Must specify color: BK [Black], BZ [Bronze], SV [Silver] or WH [White]

+ Must specify color: T [Black], Z [Bronze], S [Silver] or W [White]

Ordering Information

Example: CPY250-C-13L-57K7-D-UL-DM-SV

Product	Version	Lumen Package*	CCT/CRI	Optic	Voltage	Mounting	Color Options	Controls	Options
CPY250	C	2L 2,000 Lumens 4L 4,000 Lumens 8L 8,000 Lumens 13L 13,000 Lumens 21L 21,000 Lumens	30K8 3000K, 80 CRI 40K7 4000K, 70 CRI 40K9 4000K, 90 CRI 50K7 5000K, 70 CRI 50K9 5000K, 90 CRI 57K7 5700K, 70 CRI	D 0.91" (23mm) Drop Lens F Flat Lens	UL Universal 120-277V UH Universal 347-480V - Available only in 4L-21L lumen packages	DM Direct FM Flush Mount H6 Car Wash HC Hook & Cord PD Pendant	BK Black BZ Bronze SV Silver WH White	BLANK Non-Dimming 10V 0-10V Dimming - Control by others - Refer to Dimming spec sheet for details BML Bluetooth® Technology Enabled Multi-Level Sensor - Utilizes a multifunction sensor - Available only with UL voltage - Refer to BML spec sheet for details - 8-20' sensor lens installed on luminaire; 20-40' sensor lens and aisle shroud included - Not available with other controls	10KV 10kV/5kA Surge Suppression - Replaces standard 6kV/3kA surge suppression - Not for use with BML as BML option includes 10kV/5kA surge as standard HZ Class I, Div. 2 Hazardous Location Certification - Available with DM and PD mounts only - Not available with BML control or K option K NSF 2 Certification - Luminaires include NSF certification mark - Suitable for DM mount only - Not available with BML control or HZ option

* Lumen Package codes identify approximate light output only. Actual lumen output levels may vary depending on CCT and optic selection. Refer to Initial Delivered Lumen tables for specific lumen values.



US: creelighting.com T (800) 236-6800

Canada: creelighting-canada.com T (800) 473-1234

CREE LIGHTING®

CPY250® LED Canopy/Soffit Luminaire - Version C

Product Specifications

CONSTRUCTION & MATERIALS

- Slim, low profile design
- Easy mounting and servicing from below the deck
- Luminaire housing is constructed of rugged cast aluminum with integral heat sink specifically designed for LED
- Flat lens is 0.125" tempered Solite® glass
- Drop lens is 0.157" molded borosilicate glass
- Direct mount is suitable for use in single or double skin canopies with a minimum 4.0" (102mm) wide panels and a minimum 22 gauge, 0.030" (0.7mm) canopy thickness
- Direct mount luminaire mounts directly to the canopy deck with the drilling of a single 2" to 4" (51mm to 102mm) round hole, is secured in place with self-sealing screws that provide a weathertight seal and includes 3/4" (19mm) conduit entry for direct wire feed
- Hook and cord mount includes a 3' (0.91m) cord out of the luminaire and is intended to hang from the single hook
- Standard pendant mount includes a mounting bracket and a J-Box for customer wiring and is intended to be mounted by 3/4 IP pendant (by others)
- Hazardous location pendant mount has a threaded hub which accepts 3/4" NPT conduit (by others) and secures with a 1/4"-20 set screw
- H6 mount includes cable gland with 3' (0.91m) cord out of the luminaire and is intended to hang from the single hook
- Flush mount includes perimeter gasket, watertight cable gland and 6' (1.8m) flexible watertight conduit out of luminaire
- Flush mount attaches to ceiling with (4) self-drilling screws
- Exclusive Colorfast DeltaGuard® finish features an E-Coat epoxy primer with an ultra-durable powder topcoat, providing excellent resistance to corrosion, ultraviolet degradation and abrasion. Black, bronze, silver and white are available
- **Weight:** 12.5 lbs. (5.7kg)

ELECTRICAL SYSTEM

- **Input Voltage:** 120-277V or 347-480V, 50/60Hz
- **Power Factor:** > 0.9 at full load
- **Total Harmonic Distortion:** < 20% at full load
- Integral 6kV/3kA surge suppression protection standard; 10kV/5kA surge suppression protection optional
- When code dictates fusing, a slow blow fuse or type C/D breaker should be used to address inrush current

CONTROLS

- 10V option provides continuous dimming to 10% with 0-10V DC control protocol
- **Maximum 10V Source Current:** 1mA
- Use only lighting controls with neutral connection or controls intended for use with LED fixtures
- Reference [LED Dimming spec sheet](#) for additional dimming information

REGULATORY & VOLUNTARY QUALIFICATIONS

- cULus Listed
- Suitable for wet locations when ordered with DM, DM mount w/HZ option, PD mount w/HZ option, FM and H6 mounts. Covered ceiling required only when not used with cULus Listed, wet location junction box or XA-BXCCJBX accessory
- Suitable for damp locations when ordered with HC and PD mounts. Designed for indoor use only
- Enclosure meets IP66 requirements per IEC 60529 when ordered with DM, FM and H6 mounts
- ANSI C136.2 6kV/3kA (standard) and 10kV/5kA (optional) surge protection, tested in accordance with IEEE/ANSI C62.41.2. BML option includes 10kV surge protection
- Meets FCC Part 15, Subpart B, Class A limits for conducted and radiated emissions
- Luminaire and finish endurance tested to withstand 5,000 hours of elevated ambient salt fog conditions as defined in ASTM Standard B 117
- Assembled in the USA by Cree Lighting from US and imported parts
- Meets Buy American requirements within ARRA
- RoHS compliant. Consult factory for additional details
- Class I, Division 2 Hazardous Location rated when ordered with the DM or PD mount and the HZ option. Not available with K or BML options. Rated for Groups A, B, C & D. Bears a T3C (160°C) temperature classification within a 25°C ambient
- NSF Certified when ordered with DM mount and K option. Not available with HZ or BML options. Refer to <http://info.nsf.org/Certified/Food/> for additional details
- Dark Sky Friendly, IDA Approved when ordered with 30K CCT and Flat Lens (F). Please refer to <https://www.darksky.org/our-work/lighting-for-industry/fsa/fsa-products/> for most current information
- DLC Premium qualified for Fuel Pump Canopies. DLC Standard qualified for High-Bay/Low Bay luminaires when ordered with 8L and 30K8, 40K9 and 50K9 CCTs, 13L or 21L lumen packages with all CCTs. Please refer to <https://qpl.designlights.org/solid-state-lighting> for most current information
- **CA RESIDENTS WARNING:** Cancer and Reproductive Harm - www.p65warnings.ca.gov

Electrical Data*							
Lumen Package	System Watts 120-480V**	Total Current (A)					
		120V	208V	240V	277V	347V	480V
2L	14	0.11	0.07	0.06	0.05	N/A	N/A
4L	29	0.24	0.14	0.12	0.10	0.08	0.06
8L	53	0.45	0.26	0.22	0.19	0.15	0.11
13L	86	0.73	0.42	0.36	0.32	0.25	0.19
21L	132	1.13	0.64	0.56	0.49	0.38	0.28

* Electrical data at 25°C (77°F). Actual wattage may differ by +/- 10% when operating between 120-277V or 347-480V +/- 10%. ** 2L not available in 347-480V.

CPY Series (Version C) Ambient Adjusted Lumen Maintenance ¹						
Ambient	Luminaire Mounting Surface	Initial LMF	25K hr Reported ² LMF	50K hr Reported ² LMF	75K hr Reported ² LMF	100K hr Reported ² LMF
5°C (41°F)	2L-21L Plywood/ 2L-21L Metal	1.02	0.99	0.93	0.88	0.83
10°C (50°F)	2L-21L Plywood/ 2L-21L Metal	1.02	0.98	0.93	0.87	0.82
15°C (59°F)	2L-21L Plywood/ 2L-21L Metal	1.01	0.98	0.92	0.87	0.82
20°C (68°F)	2L-21L Plywood/ 2L-21L Metal	1.01	0.97	0.92	0.86	0.81
25°C (77°F)	2L-21L Plywood/ 2L-21L Metal	1.00	0.97	0.91	0.86	0.81
30°C (86°F)	2L-13L Plywood/ 2L-21L Metal	0.99	0.96	0.90	0.85	0.80
	21L Plywood	0.99	0.95	0.89	0.84	0.79
35°C (95°F)	2L-13L Plywood/ 2L-21L Metal	0.99	0.95	0.90	0.85	0.80
	21L Plywood	0.99	0.94	0.87	0.82	0.76
40°C (104°F)	2L-13L Plywood/ 2L-21L Metal	0.98	0.95	0.89	0.84	0.79
45°C (113°F)	2L-4L Plywood/ 2L-13L Metal	0.98	0.94	0.89	0.84	0.79
50°C (122°F)	2L-4L Metal	0.97	0.92	0.87	0.81	0.76

¹ Lumen maintenance values at 25°C (77°F) are calculated per IES TM-21 based on IES LM-80 report data for the LED package and in-situ luminaire testing. Luminaire ambient temperature factors (LATF) have been applied to all lumen maintenance factors. Please refer to the [Temperature Zone Reference Document](#) for outdoor average nighttime ambient conditions.

² In accordance with IES TM-21, Reported values represent interpolated values based on time durations that are up to 6x the tested duration in the IES LM-80 report for the LED.

³ Estimated values are calculated and represent time durations that exceed the 6x test duration of the LED.

Operating Temperature Range				
Lumen Package	Direct Mount to Plywood	Direct Mount to Sheet Metal/Suspended	Class 1, Division 2 Hazardous Location	
			Direct Mount to Plywood	Direct Mount to Sheet Metal/Suspended
2L	-40°C to +45°C	-40°C to +50°C	-40°C to +25°C	
4L	-40°C to +45°C	-40°C to +50°C		
8L	-40°C to +40°C	-40°C to +45°C		
13L	-40°C to +40°C	-40°C to +45°C		
21L	-40°C to +35°C	-40°C to +40°C		

NOTE: Standard luminaires are UL rated at 40°C, and hazardous location luminaires are UL rated at 25°C, but will operate in the ambients listed above

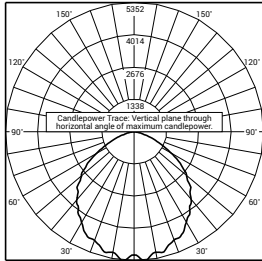
WARNING: Exceeding maximum operating temperature may result in thermal foldback

Photometry

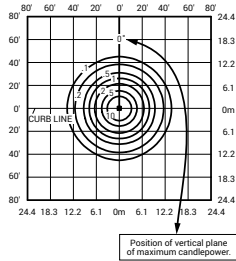
All published luminaire photometric testing performed to IES LM-79 standards.

To obtain an IES file specific to your project consult: <https://www.creelighting.com/products/outdoor/canopy-and-soffit/cpy250-series>

DROP LENS



RESTL Test Report #: PL16573-001A
 CPY250-C-13L-57K7-D-UL-**-**-***
 Initial Delivered Lumens: 13,260



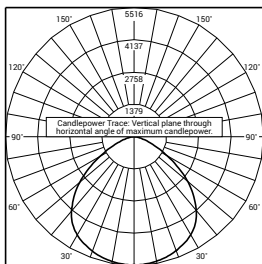
CPY250-C-13L-57K7-D-UL-**-**-***
 Mounting Height: 15' (4.6m) A.F.G.
 Initial Delivered Lumens: 13,750
 Initial FC at grade

Drop Lens Distribution						
Lumen Package	3000K		4000K/5000K		4000K/5000K/5700K	
	80 CRI		90 CRI		70 CRI	
	Initial Delivered Lumens*	BUG Ratings** Per TM-15-20	Initial Delivered Lumens*	BUG Ratings** Per TM-15-20	Initial Delivered Lumens*	BUG Ratings** Per TM-15-20
2L	2,100	B1 U1 G1	1,730	B1 U1 G1	2,310	B1 U1 G1
4L	4,160	B2 U1 G1	3,440	B2 U1 G1	4,590	B2 U2 G1
8L	7,675	B3 U2 G1	6,325	B2 U2 G1	8,475	B3 U2 G1
13L	12,450	B3 U2 G1	10,225	B3 U2 G1	13,750	B3 U2 G1
21L	19,200	B4 U2 G2	15,700	B3 U2 G2	21,300	B4 U2 G2

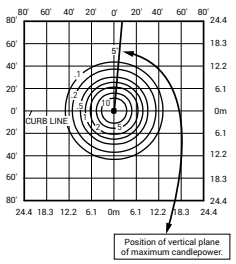
* Initial delivered lumens at 25°C (77°F). Actual production yield may vary between -10 and +10% of initial delivered lumens

** For more information on the IES BUG (Backlight-Uplight-Glare) Rating visit: <https://www.ies.org/wp-content/uploads/2017/03/TM-15-11BUGRatingsAddendum.pdf>

FLAT LENS



RESTL Test Report #: PL16548-004A
 CPY250-C-13L-57K7-F-UL-**-**-***
 Initial Delivered Lumens: 14,015



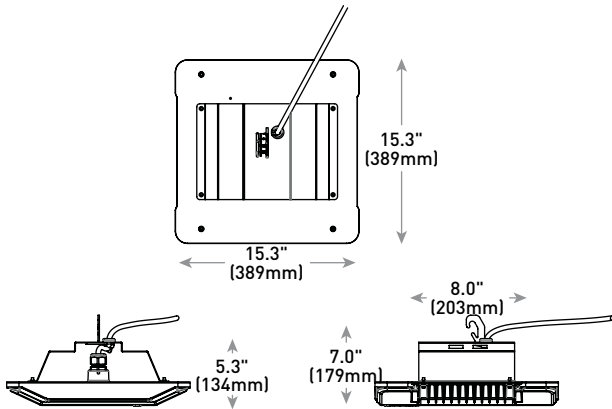
CPY250-C-13L-57K7-F-UL-**-**-***
 Mounting Height: 15' (4.6m) A.F.G.
 Initial Delivered Lumens: 14,015
 Initial FC at grade

Flat Lens Distribution						
Lumen Package	3000K		4000K/5000K		4000K/5000K/5700K	
	80 CRI		90 CRI		70 CRI	
	Initial Delivered Lumens*	BUG Ratings** Per TM-15-20	Initial Delivered Lumens*	BUG Ratings** Per TM-15-20	Initial Delivered Lumens*	BUG Ratings** Per TM-15-20
2L	2,100	B1 U0 G0	1,730	B1 U0 G0	2,310	B1 U0 G0
4L	4,160	B2 U0 G1	3,440	B2 U0 G1	4,590	B2 U0 G1
8L	7,675	B3 U0 G1	6,325	B2 U0 G1	8,475	B3 U0 G1
13L	12,450	B3 U0 G1	10,225	B3 U0 G1	13,750	B3 U0 G1
21L	19,200	B4 U0 G1	15,700	B3 U0 G1	21,300	B4 U0 G1

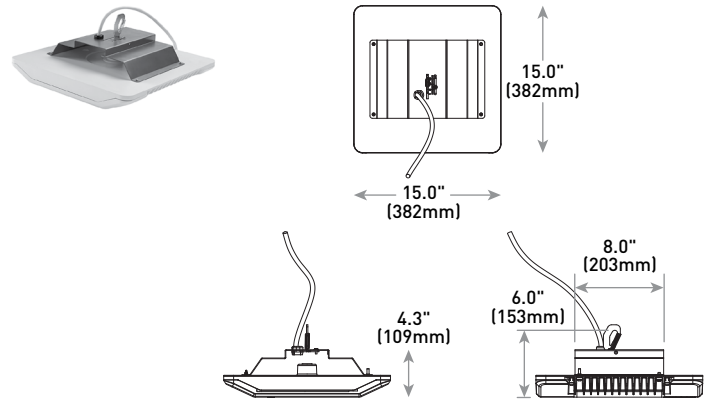
* Initial delivered lumens at 25°C (77°F). Actual production yield may vary between -10 and +10% of initial delivered lumens

** For more information on the IES BUG (Backlight-Uplight-Glare) Rating visit: <https://www.ies.org/wp-content/uploads/2017/03/TM-15-11BUGRatingsAddendum.pdf>

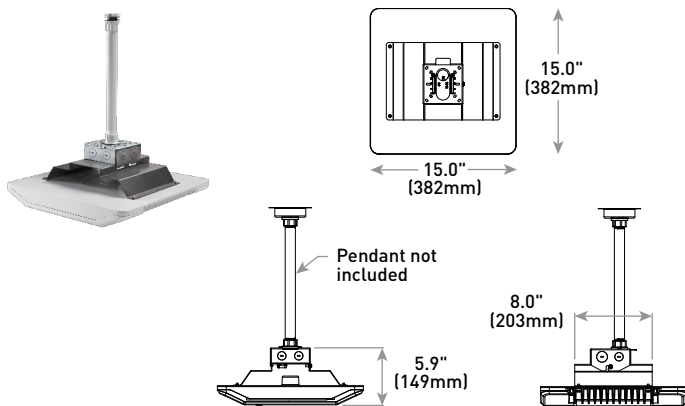
H6 Mount



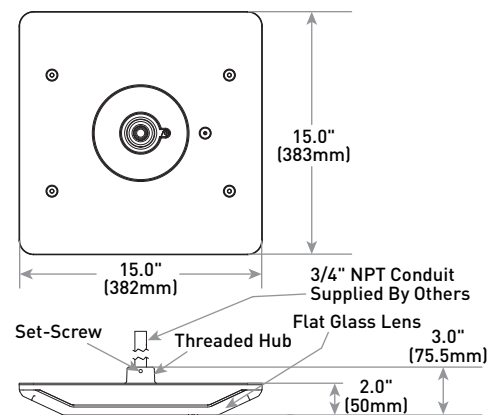
HC Mount



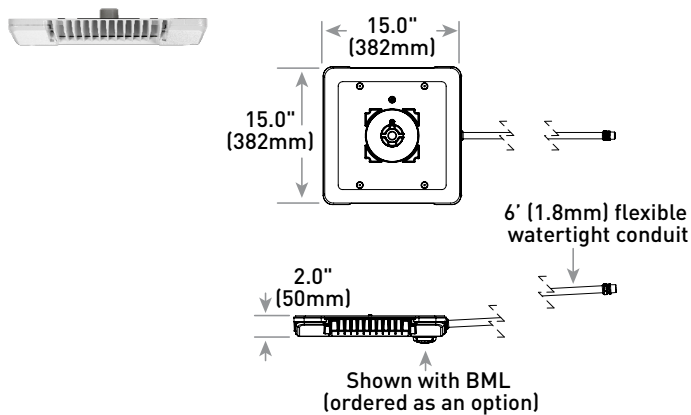
PD Mount



PD Mount w/HZ Option



FM Mount



© 2023 Cree Lighting, A company of IDEAL INDUSTRIES. All rights reserved. For informational purposes only. Content is subject to change. Patent www.creelighting.com/patents. Colorfast DeltaGuard® and CPY250® are registered trademarks, and the CPY250 design is a trademark of Cree Lighting, A company of IDEAL INDUSTRIES. Cree® and the Cree Lighting logo are registered trademarks of Cree, Inc. The UL logo is a registered trademark of UL LLC. The NSF logo is a registered trademark of NSF International. Synapse® is a registered trademark of Synapse Wireless, Inc. The DLC QPL, DLC QPL Premium and the DLC LUNA Logos are the registered and unregistered trademarks of Efficiency Forward, Inc. The Bluetooth® word mark and logos are registered trademarks owned by Bluetooth SIG, Inc. and any use of such marks is under license. Other trademarks, service marks, and trade names are those of their respective owners. IOS is a registered trademark or trademark of Cisco Systems, Inc. and/or its affiliates in the United States and certain other countries. Android is a trademark of Google, Inc.

CPY Series - Version B

CPY250® LED Canopy/Soffit Luminaire

Rev. Date: V1903/02/2023

Product Description

The CPY250® LED Canopy/Soffit Luminaire has an extremely thin profile constructed of rugged cast aluminum. It can be surface mounted easily from below the canopy deck and can be pendant mounted. Direct imaging of the LEDs is eliminated with a highly efficient patterned flat or 0.91" (23mm) drop glass lens.

Applications: Petroleum canopies, CNG fueling stations, soffits

Performance Summary

Assembled in the USA by Cree Lighting from US and imported parts

Initial Delivered Lumens: Up to 19,600

Efficacy: Up to 141 LPW

CRI: Minimum 70 CRI

CCT: 3000K (+/- 300K), 4000K (+/- 300K)

Limited Warranty*: 10 years for luminaire/10 years for Colorfast DeltaGuard® finish/5 years for PML sensor/1 year for luminaire accessories

IP66 Rated (Direct Mount only)

Class I, Division 2 Hazardous Location for select models

* See <http://creelighting.com/warranty> for warranty terms

Accessories

Field-Installed

Direct Mount luminaires

Canopy Upgrade Kits (18 ga. steel, except where noted)

CPY-AP304* - for use with Cree Lighting CAN-304 luminaires, 16 ga. 5052 aluminum

XA-BXCCMW - for use with Jet-Philips, 21.60" [549mm] square, white

XA-BXCCNW - for use with ElSCO Franciscan, 22.06" [560mm] square, white

XA-BXCCPW - for use with LSI Dakota or Masters, 22.50" [572mm] square, white

XA-BXCCQW - for use with Whiteway Riviera or Rig-A-Lite, 20.60" [523mm] square, white

XA-BXCCRW - for use with ElSCO Merrit, 18.06" [459mm] square, white

XA-BXCCSW - for use with LSI Richmond or Whiteway Civic, 23.00" [584mm] L x 13.00" [330mm] W, white

Direct Mount Junction Box/Stem Kit

XA-BXCCJBOX - 6.0" [152mm] H x 3/4" [19mm] NPT Stem

- Watertight

- Rated for feed through 8 (4 in, 4 out) #12 AWC conductors

Direct Mount Beauty Plates

XA-BXCCBPW - 26.17" [665mm] Beauty Plate Only (18 ga. steel), white

XA-BXCCBPB12W - 26.17" [665mm] Beauty Plate (18 ga. steel) w/12" [305mm]

Backer Plate (16 ga. steel), white

- For use in canopies where deck opening is larger than what is required for mounting the CPY250 luminaire. Maximum deck opening 10.75" x 15" [183mm x 375mm]

XA-BXCCBPB16W - 26.17" [665mm] Beauty Plate (18 ga. steel) w/16" [406mm]

Backer Plate (16 ga. steel), white

- For use in canopies where deck opening is larger than what is required for mounting the CPY250 luminaire. Maximum deck opening 12" x 15" [305mm x 375mm]

Pendant Mount luminaires

Pendant Mount Kits

XA-PS12KIT* - 5" [127mm] pendant

XA-PS18KIT* - 11" [279mm] pendant

XA-PS22KIT* - 15" [381mm] pendant

- Includes two conduit fittings and 3/4-14 NPT pipe threaded on two ends

Hand-Held Remote

XA-SENSREM

- For successful implementation of the programmable multi-level option, a minimum of one hand-held remote is required

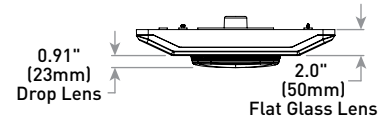
DM Mount



Flat Lens

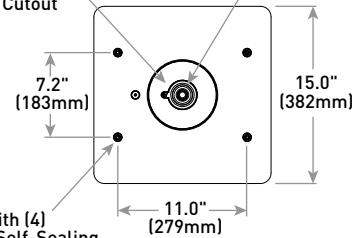


Drop Lens



Gasket to Seal up to 4.25" [108mm] Canopy Cutout

3/4" (19mm) NPT Conduit Entry



Mounts with (4) Supplied Self-Sealing Sheet Metal Screws

Weight

12.5 lbs. (5.7kg)

* Must specify color: BK (Black), BZ (Bronze), SV (Silver) or WH (White)

Ordering Information

Example: CPY250-B-DM-D-A-UL-SV

Product	Version	Mounting**	Optic	Lumen Package/ Input Power Designator	Voltage	Color Options	CCT	Options
CPY250	B	DM Direct HC Hook & Cord PD Pendant	D 0.91" (23mm) Drop Lens F Flat Lens	13L 91W B 96W E 145W	UL Universal 120-277V	BK Black BZ Bronze SV Silver WH White	30K 3000K 40K 4000K	DIM 0-10V Dimming - Control by others - Refer to Dimming spec sheet for details - Can't exceed wattage of specified lumen package/ Input Power Designator HZ Class I, Div. 2 Hazardous Location Certification - Available with DM and PD mounts only - Not available with K or PML options K NSF 2 Certification - Luminaires include NSF certification mark - Available with the DM mount only - Not available with the HZ or PML options PML Programmable Multi-Level - Available with UL voltage only - Refer to PML spec sheet for details

* For Car Wash Applications please contact Cree Lighting @ 1-800-236-6800



CREE ⇄ **LIGHTING**®

US: creelighting.com T (800) 236-6800

Canada: creelighting-canada.com T (800) 473-1234

CPY250® LED Canopy/Soffit Luminaire - Version B

Product Specifications

CONSTRUCTION & MATERIALS

- Slim, low profile design
- Easy mounting and servicing from below the deck
- Luminaire housing is constructed of rugged cast aluminum with integral heat sink specifically designed for LED
- Flat lens is 0.125" tempered Solite® glass
- Drop lens is 0.157" molded borosilicate glass
- Direct mount is suitable for use in single or double skin canopies with a minimum 4.0" (102mm) wide panels and a minimum 22 gauge, 0.030" (0.7mm) canopy thickness
- Direct mount luminaire mounts directly to the canopy deck with the drilling of a single 2" to 4" (51mm to 102mm) round hole, is secured in place with self-sealing screws that provide a weathertight seal and includes 3/4" (19mm) conduit entry for direct wire feed
- Hook and cord mount includes a 3' (0.91m) cord out of the luminaire and is intended to hang from the single hook
- Standard pendant mount includes a mounting bracket and a J-Box for customer wiring and is intended to be mounted by 3/4 IP pendant (by others)
- Hazardous location pendant mount has a threaded hub which accepts 3/4" NPT conduit (by others) and secures with a 1/4"-20 set screw
- Exclusive Colorfast DeltaGuard® finish features an E-Coat epoxy primer with an ultra-durable powder topcoat, providing excellent resistance to corrosion, ultraviolet degradation and abrasion. Black, bronze, silver and white are available
- **Weight:** 12.5 lbs. (5.7kg)

ELECTRICAL SYSTEM

- **Input Voltage:** 120-277V, 50/60Hz, Class 1 drivers
- **Power Factor:** > 0.9 at full load
- **Total Harmonic Distortion:** < 20% at full load
- Integral 6kV/3kA surge suppression protection standard
- When code dictates fusing, a slow blow fuse or type C/D breaker should be used to address inrush current

CONTROLS

- Continuous dimming to 10% with 0-10V DC control protocol
- **10V Source Current:** 0.15mA
- Use only lighting controls with neutral connection or controls intended for use with LED fixtures
- Reference LED Dimming spec sheet for additional dimming information

REGULATORY & VOLUNTARY QUALIFICATIONS

- cULus Listed
- Suitable for wet locations when ordered with DM and DM mount with HZ option. Covered ceiling required only when not used with cULus Listed, wet location junction box or XA-BXCCJBOX accessory
- Suitable for damp locations when ordered with HC and PD mounts. Designed for indoor use only
- Suitable for wet locations when ordered with PD mount and HZ option
- Enclosure rated IP66 per IEC 60529 when ordered with DM mount. Exceptions apply when HZ option is selected
- Consult factory for CE Certified products
- 6kV/3kA surge suppression protection tested in accordance with IEEE/ANSI C62.41.2
- Meets FCC Part 15, Subpart B, Class A limits for conducted and radiated emissions
- Luminaire and finish endurance tested to withstand 5,000 hours of elevated ambient salt fog conditions as defined in ASTM Standard B 117
- Assembled in the USA by Cree Lighting from US and imported parts
- Meets Buy American requirements within ARRA
- RoHS compliant. Consult factory for additional details
- Class I, Division 2 Hazardous Location rated when ordered with the DM or PD mount and the HZ option. Not available with K or PML options. Rated for Groups A, B, C & D. Bears a T3C (160°C) temperature classification within a 25°C ambient
- NSF Certified when ordered with DM mount and K option. Not available with HZ or PML options. Refer to <http://info.nsf.org/Certified/Food/> for additional details
- Dark Sky Friendly, IDA Approved when ordered with 30K CCT and Flat Lens (F). Please refer to <https://www.darksky.org/our-work/lighting/lighting-for-industry/fsa/fsa-products/> for most current information
- **CA RESIDENTS WARNING:** Cancer and Reproductive Harm - www.p65warnings.ca.gov

Electrical Data*					
Lumen Package/ Input Power Designator	System Watts 120-277V	Total Current (A)			
		120V	208V	240V	277V
13L	91	0.79	0.45	0.39	0.34
B	96	0.82	0.47	0.40	0.35
E	145	1.22	0.70	0.61	0.53

* Electrical data at 25°C (77°F). Actual wattage may differ by +/- 10% when operating between 120-277V

CPY Series (Version B) Ambient Adjusted Lumen Maintenance ¹						
Ambient	Lumen Package/ Input Power Designator	Initial LMF	25K hr Reported ² LMF	50K hr Reported ² LMF	75K hr Estimated ³ LMF	100K hr Estimated ³ LMF
5°C (41°F)	B/E	1.03	1.00	0.96	0.93	0.90
	13L	1.04	1.01	1.00	0.98	0.97
10°C (50°F)	B/E	1.02	0.99	0.95	0.92	0.89
	13L	1.03	1.00	0.99	0.97	0.96
15°C (59°F)	B/E	1.02	0.99	0.95	0.92	0.89
	13L	1.02	0.99	0.98	0.96	0.95
20°C (68°F)	B/E	1.01	0.98	0.95	0.91	0.88
	13L	1.01	0.98	0.97	0.95	0.94
25°C (77°F)	B/E	1.00	0.97	0.94	0.90	0.87
	13L	1.00	0.97	0.96	0.94	0.93
30°C (86°F)	B/E	0.99	0.96	0.93	0.90	0.87
	13L	0.99	0.96	0.95	0.93	0.92

¹ Lumen maintenance values at 25°C (77°F) are calculated per IES TM-21 based on IES LM-80 report data for the LED package and in-situ luminaire testing. Luminaire ambient temperature factors (LATF) have been applied to all lumen maintenance factors. Please refer to the [Temperature Zone Reference Document](#) for outdoor average nighttime ambient conditions.

² In accordance with IES TM-21, Reported values represent interpolated values based on time durations that are up to 6x the tested duration in the IES LM-80 report for the LED.

³ Estimated values are calculated and represent time durations that exceed the 6x test duration of the LED.

Operating Temperature Range			
Lumen Package/ Input Power Designator	Direct Mount to Plywood	Direct Mount to Sheet Metal/ Suspended	Class 1, Division 2 Hazardous Location
			Direct Mount to Plywood
13L/B	-40°C to +35°C	-40°C to +40°C	-40°C to +25°C
E	-40°C to +35°C	-40°C to +40°C	

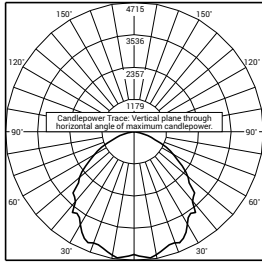
WARNING: Exceeding maximum operating temperature may result in thermal foldback

Photometry

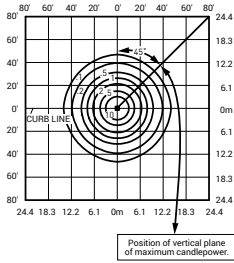
All published luminaire photometric testing performed to IES LM-79 standards.

To obtain an IES file specific to your project consult: <http://creelighting.com/products/outdoor/canopy-and-soffit/cpy-series>

DROP LENS



CESTL Test Report #: PL08412-001A
 CPY250-B-**-D-B-UL-**-57K
 Initial Delivered Lumens: 12,403



CPY250-B-**-D-B-UL-**-57K
 Mounting Height: 15' [4.6m] A.F.G.
 Initial Delivered Lumens: 12,860
 Initial FC at grade

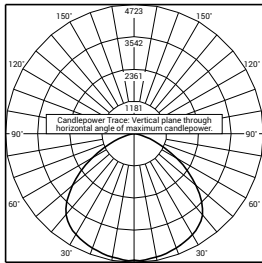
Drop Lens Distribution

Lumen Package/ Input Power Designator	3000K		4000K	
	Initial Delivered Lumens*	BUG Ratings** Per TM-15-11	Initial Delivered Lumens*	BUG Ratings** Per TM-15-11
13L	11,900	B3 U2 G1	12,800	B3 U2 G1
B	11,850	B3 U2 G1	12,380	B3 U2 G1
E	19,100	B4 U3 G2	19,600	B4 U3 G2

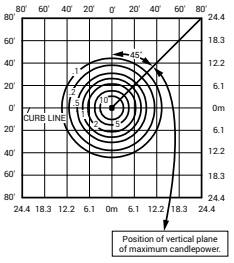
* Initial delivered lumens at 25°C (77°F). Actual production yield may vary between -10 and +10% of initial delivered lumens

** For more information on the IES BUG (Backlight-Uplight-Glare) Rating visit: <https://www.ies.org/wp-content/uploads/2017/03/TM-15-11BUGRatingsAddendum.pdf>

FLAT LENS



CESTL Test Report #: PL08165-001C
 CPY250-B-**-F-B-UL-**-57K
 Initial Delivered Lumens: 13,040



CPY250-B-**-F-B-UL-**-57K
 Mounting Height: 15' [4.6m] A.F.G.
 Initial Delivered Lumens: 12,860
 Initial FC at grade

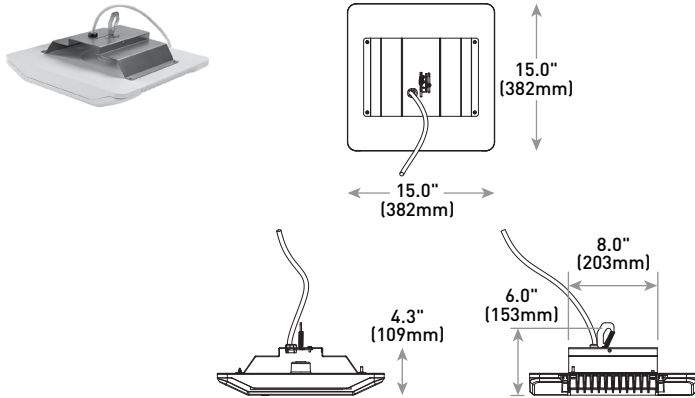
Flat Lens Distribution

Lumen Package/ Input Power Designator	3000K		4000K	
	Initial Delivered Lumens*	BUG Ratings** Per TM-15-11	Initial Delivered Lumens*	BUG Ratings** Per TM-15-11
13L	11,900	B3 U0 G1	12,800	B3 U0 G1
B	11,850	B3 U0 G1	12,380	B3 U0 G1
E	19,100	B4 U0 G1	19,600	B4 U0 G1

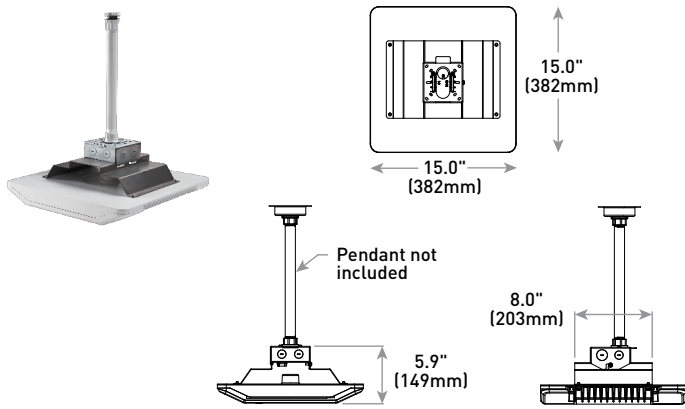
* Initial delivered lumens at 25°C (77°F). Actual production yield may vary between -10 and +10% of initial delivered lumens

** For more information on the IES BUG (Backlight-Uplight-Glare) Rating visit: <https://www.ies.org/wp-content/uploads/2017/03/TM-15-11BUGRatingsAddendum.pdf>

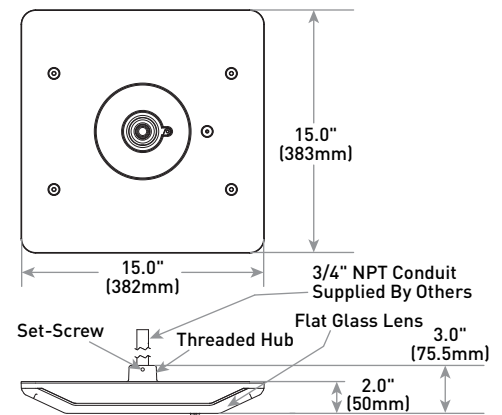
HC Mount



PD Mount



PD Mount w/HZ Option



© 2023 Cree Lighting, A company of IDEAL INDUSTRIES. All rights reserved. For informational purposes only. Content is subject to change. Patent www.creelighting.com/patents. Colorfast DeltaGuard® and CPY250® are registered trademarks, and the CPY250 design is a trademark of Cree Lighting, A company of IDEAL INDUSTRIES. Cree® and the Cree Lighting logo are registered trademarks of Cree, Inc. The UL logo is a registered trademark of UL LLC. The NSF logo is a registered trademark of NSF International.

XSP Series

XSPW™ LED Wall Mount Luminaire featuring Cree TrueWhite® Technology

Rev. Date: VersionB V6 08/03/2022

Product Description

The XSPW™ LED wall mount luminaire has a slim, low profile design intended for outdoor wall mounted applications. The rugged lightweight aluminum housing and mounting box are designed for installation over standard single gang J-Boxes and mud ring single gang J-Boxes. The luminaire allows for through-wired or conduit entry from the top, bottom, sides and rear. The housing design is intended specifically for LED technology including a weathertight LED driver compartment and thermal management. Optic design features industry-leading NanoOptic® Precision Delivery Grid™ system in multiple distributions.

Applications: General area and security lighting

Performance Summary

NanoOptic® Precision Delivery Grid™ optic

Assembled in the USA by Cree Lighting from US and imported parts

Initial Delivered Lumens: Up to 8,475

CRI: Minimum 70 CRI (3000K, 4000K & 5700K); 90 CRI (5000K)

CCT: 3000K, 4000K, 5000K, 5700K

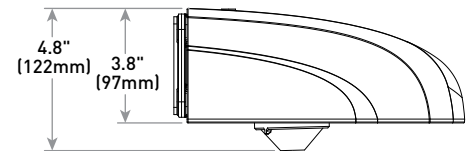
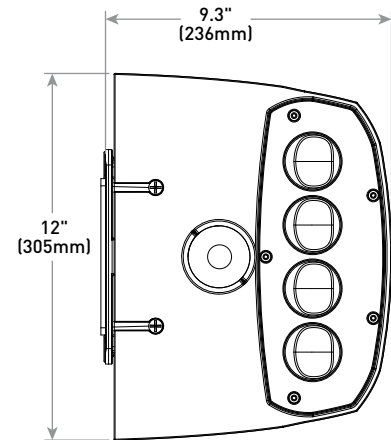
Limited Warranty*: 10 years on luminaire/10 years on Colorfast DeltaGuard® finish/up to 5 years for Synapse® accessories/1 year on accessories

* See <http://creelighting.com/warranty> for warranty terms

Accessories

Field-Installed	
Beauty Plate WM-PLT12** - 12" (305mm) Square WM-PLT14** - 14" (356mm) Square - Covers holes left by incumbent wall packs Synapse® SimplySnap 10V Interface DIM10-220F - 120V-277V - Requires other Synapse components to complete system - Refer to DIM10-220F spec sheet for details	Hand-Held Remote XA-SENSREM - For successful implementation of the programmable multi-level option, a minimum of one hand-held remote is required

** Must specify color



Multi-Level Sensor location (ordered as an option)

Lumen Package	Weight
2L, 4L, 6L	11.0 lbs. (5.0kg)
8L	11.8 lbs. (5.4kg)

Ordering Information

Example: XSPW-B-WM-2ME-2L-30K-UL-BK

XSPW	B	WM						
Product	Version	Mounting	Optic	Lumen Package*	CCT	Voltage	Color Options	Options
XSPW	B	WM Wall	2ME Type II Medium 3ME Type III Medium 4ME Type IV Medium	2L 2,490 lumens 4L 4,270 lumens 6L 6,100 lumens 8L 8,475 lumens	30K 3000K - 70 CRI 40K 4000K - 70 CRI 50K 5000K - 90 CRI 57K 5700K - 70 CRI	UL Universal 120-277V UH Universal 347-480V 34 347V - For use with P option only	BK Black BZ Bronze SV Silver WH White	ML Multi-Level - Refer to ML spec sheet for details - Available with UL voltage only P Button Photocell - Not available with ML or PML options - Available with UL and 34 voltages only PML Programmable Multi-Level - Refer to PML spec sheet for details - Available with UL voltage only

* Lumen Package selection codes identify approximate light output only. Actual lumen output levels may vary depending on CCT and optic selection. Refer to Initial Delivered Lumen tables for specific lumen values



US: creelighting.com (800) 236-6800

Canada: creelighting-canada.com (800) 473-1234

CREE LIGHTING®

Product Specifications

CREE TRUEWHITE® TECHNOLOGY

A revolutionary way to generate high-quality white light, Cree TrueWhite® Technology is a patented approach that delivers an exclusive combination of 90+ CRI, beautiful light characteristics and lifelong color consistency, all while maintaining high luminous efficacy – a true no compromise solution.

CONSTRUCTION & MATERIALS

- Slim, low profile design
- Luminaire housing specifically designed for LED applications with advanced LED thermal management and driver
- Luminaire mounting box designed for installation over standard single gang J-Boxes and mud ring single gang J-Boxes
- Luminaire can also be direct mounted to a wall and surface wired
- Secures to wall with four 3/16" (5mm) screws (by others)
- Conduit entry from top, bottom, sides, and rear
- Exclusive Colorfast DeltaGuard® finish features an E-coat epoxy primer with an ultra-durable powder topcoat, providing excellent resistance to corrosion, ultraviolet degradation and abrasion. Silver, black, white and bronze are available
- **Weight:** 2L, 4L, 6L - 11.0 lbs. (5.0kg); 8L - 11.8 lbs. (5.4kg)

ELECTRICAL SYSTEM

- **Input Voltage:** 120-277V or 347-480V, 50/60Hz
- **Power Factor:** > 0.9 at full load
- **Total Harmonic Distortion:** < 20% at full load
- Integral 10kV/5kA surge suppression protection standard
- When code dictates fusing, a slow blow fuse or type C/D breaker should be used to address inrush current
- Designed with 0-10V dimming capabilities. Controls by others
- **10V Source Current:** 0.15 mA
- Refer to [Dimming spec sheet](#) for details
- **Operating Temperature Range:** -40°C - +50°C (-40°F - +122°F)

REGULATORY & VOLUNTARY QUALIFICATIONS

- cULus Listed
- Suitable for wet locations
- Designed for downlight applications only
- Enclosure rated IP66 per IEC 60598
- ANSI C136.2 10kV/5kA surge protection, tested in accordance with IEEE/ANSI C62.41.2
- Meets FCC Part 15, Subpart B, Class A limits for conducted and radiated emissions
- Luminaire and finish endurance tested to withstand 5,000 hours of elevated ambient salt fog conditions as defined in ASTM Standard B 117
- Assembled in the USA by Cree Lighting from US and imported parts
- Meets Buy American requirements within ARRA
- RoHS compliant. Consult factory for additional details
- Dark Sky Friendly, IDA Approved when ordered with 30K CCT. Please refer to <https://www.darksky.org/our-work/lighting/lighting-for-industry/fsa/fsa-products/> for most current information
- DLC and DLC Premium qualified versions available. Please refer to <https://qpl.designlights.org/solid-state-lighting> for most current information
- DLC Luna qualified when ordered with 4L-8L lumen packages and 30K CCT. Please refer to <https://qpl.designlights.org/solid-state-lighting> for most current information
- **CA RESIDENTS WARNING:** Cancer and Reproductive Harm – www.p65warnings.ca.gov

Electrical Data*									
Lumen Package	CCT/CRI	System Watts	Efficacy	Total Current (A)					
				120V	208V	240V	277V	347V	480V
2L	30K/70 CRI	20	125	0.17	0.10	0.08	0.07	0.06	0.05
	40K/70 CRI	19	131	0.16	0.09	0.08	0.07	0.06	0.04
	50K/90 CRI	24	104	0.20	0.11	0.10	0.08	0.07	0.05
	57K/70 CRI	19	131	0.16	0.09	0.08	0.07	0.06	0.04
4L	30K/70 CRI	33	129	0.28	0.16	0.14	0.13	0.10	0.07
	40K/70 CRI	31	138	0.27	0.15	0.13	0.12	0.09	0.07
	50K/90 CRI	40	107	0.34	0.20	0.17	0.16	0.12	0.09
	57K/70 CRI	31	138	0.26	0.15	0.13	0.12	0.09	0.07
6L	30K/70 CRI	51	120	0.43	0.25	0.22	0.19	0.14	0.11
	40K/70 CRI	47	130	0.40	0.23	0.20	0.18	0.14	0.10
	50K/90 CRI	60	102	0.51	0.29	0.25	0.23	0.17	0.13
	57K/70 CRI	47	130	0.40	0.23	0.20	0.17	0.14	0.10
8L	30K/70 CRI	77	110	0.65	0.38	0.32	0.28	0.22	0.16
	40K/70 CRI	72	118	0.61	0.35	0.31	0.27	0.21	0.15
	50K/90 CRI	78	89	0.66	0.37	0.33	0.29	0.22	0.16
	57K/70 CRI	71	119	0.60	0.35	0.30	0.26	0.20	0.15

* Electrical data at 25°C (77°F). Actual wattage may differ by +/- 10% when operating between 120-277V or 347-480V +/- 10%

XSPW Series Ambient Adjusted Lumen Maintenance Factors ¹					
Ambient	Initial LMF	25K hr Reported ² LMF	50K hr Reported ² LMF	75K hr Estimated ³ LMF	100K hr Estimated ³ LMF
5°C (41°F)	1.03	0.98	0.96	0.94	0.92
10°C (50°F)	1.03	0.98	0.96	0.94	0.92
15°C (59°F)	1.02	0.97	0.95	0.93	0.92
20°C (68°F)	1.01	0.96	0.95	0.93	0.91
25°C (77°F)	1.00	0.96	0.94	0.92	0.90
30°C (86°F)	0.99	0.95	0.93	0.91	0.89
35°C (95°F)	0.98	0.94	0.92	0.90	0.88
40°C (104°F)	0.97	0.93	0.91	0.89	0.87

¹ Lumen maintenance values at 25°C (77°F) are calculated per IES TM-21 based on IES LM-80 report data for the LED package and in-situ luminaire testing. Luminaire ambient temperature factors (LATF) have been applied to all lumen maintenance factors. Please refer to the [Temperature Zone Reference Document](#) for outdoor average nighttime ambient conditions.

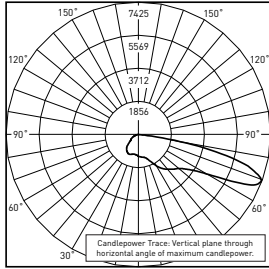
² In accordance with IES TM-21, Reported values represent interpolated values based on time durations that are up to 6x the tested duration in the IES LM-80 report for the LED.

³ Estimated values are calculated and represent time durations that exceed the 6x test duration of the LED.

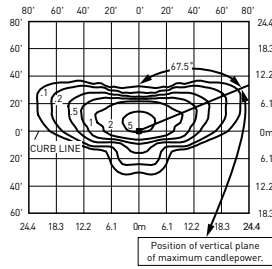
Photometry

All published luminaire photometric testing performed to IES LM-79 standards. To obtain an IES file specific to your project consult: <http://creelighting.com/products/outdoor/wall-mount/xsp-series-wall>

2ME



CESTL Test Report #: PL12798-001A
 XSPW-B-**-2ME-8L-40K-UL
 Initial Delivered Lumens: 8,622

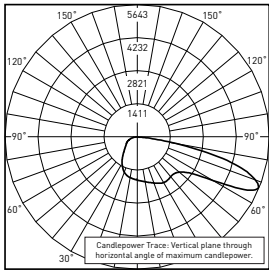


XSPW-B-**-2ME-8L-40K-UL
 Mounting Height: 15' (4.6) A.F.G.
 Initial Delivered Lumens: 8,475
 Initial FC at grade

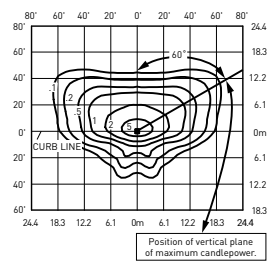
Type II Medium Distribution								
Lumen Package	3000K		4000K		5000K		5700K	
	Initial Delivered Lumens*	BUG Ratings** Per TM-15-11	Initial Delivered Lumens*	BUG Ratings** Per TM-15-11	Initial Delivered Lumens*	BUG Ratings** Per TM-15-11	Initial Delivered Lumens*	BUG Ratings** Per TM-15-11
2L	2,490	B1 U0 G1	2,490	B1 U0 G1	2,490	B1 U0 G1	2,490	B1 U0 G1
4L	4,270	B1 U0 G1	4,270	B1 U0 G1	4,270	B1 U0 G1	4,270	B1 U0 G1
6L	6,100	B1 U0 G2	6,100	B1 U0 G2	6,100	B1 U0 G2	6,100	B1 U0 G2
8L	8,475	B2 U0 G2	8,475	B2 U0 G2	6,925	B1 U0 G2	8,475	B2 U0 G2

* Initial delivered lumens at 25°C (77°F). Actual production yield may vary between -10 and +10% of initial delivered lumens
 ** For more information on the IES BUG (Backlight-Uplight-Glare) Rating visit: <https://www.ies.org/wp-content/uploads/2017/03/TM-15-11BUGRatingsAddendum.pdf>

3ME



CESTL Test Report #: PL12366-007A
 XSPW-B-**-3ME-8L-40K-UL
 Initial Delivered Lumens: 8,543



XSPW-B-**-3ME-8L-40K-UL
 Mounting Height: 15' (4.6m) A.F.G.
 Initial Delivered Lumens: 8,475
 Initial FC at grade

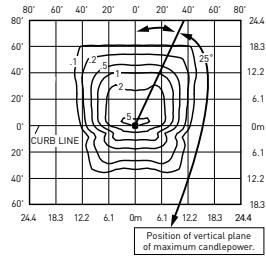
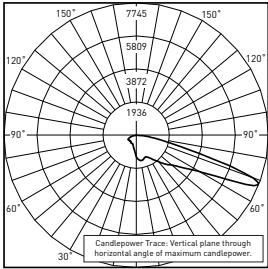
Type III Medium Distribution								
Lumen Package	3000K		4000K		5000K		5700K	
	Initial Delivered Lumens*	BUG Ratings** Per TM-15-11	Initial Delivered Lumens*	BUG Ratings** Per TM-15-11	Initial Delivered Lumens*	BUG Ratings** Per TM-15-11	Initial Delivered Lumens*	BUG Ratings** Per TM-15-11
2L	2,490	B1 U0 G1	2,490	B1 U0 G1	2,490	B1 U0 G1	2,490	B1 U0 G1
4L	4,270	B1 U0 G1	4,270	B1 U0 G1	4,270	B1 U0 G1	4,270	B1 U0 G1
6L	6,100	B1 U0 G2	6,100	B1 U0 G2	6,100	B1 U0 G2	6,100	B1 U0 G2
8L	8,475	B2 U0 G2	8,475	B2 U0 G2	6,925	B1 U0 G2	8,475	B2 U0 G2

* Initial delivered lumens at 25°C (77°F). Actual production yield may vary between -10 and +10% of initial delivered lumens
 ** For more information on the IES BUG (Backlight-Uplight-Glare) Rating visit: <https://www.ies.org/wp-content/uploads/2017/03/TM-15-11BUGRatingsAddendum.pdf>

Photometry

All published luminaire photometric testing performed to IES LM-79 standards. To obtain an IES file specific to your project consult: <http://creelighting.com/products/outdoor/wall-mount/xsp-series-wall>

4ME



RESTL Test Report #: PL14415-001A
 XSPW-B-**-4ME-8L-40K-UL
 Initial Delivered Lumens: 8,763

XSPW-B-**-4ME-8L-40K-UL
 Mounting Height: 15' (4.6m) A.F.G.
 Initial Delivered Lumens: 8,475
 Initial FC at grade

Type IV Medium Distribution								
Lumen Package	3000K		4000K		5000K		5700K	
	Initial Delivered Lumens*	BUG Ratings** Per TM-15-11	Initial Delivered Lumens*	BUG Ratings** Per TM-15-11	Initial Delivered Lumens*	BUG Ratings** Per TM-15-11	Initial Delivered Lumens*	BUG Ratings** Per TM-15-11
2L	2,490	B1 U0 G1	2,490	B1 U0 G1	2,490	B1 U0 G1	2,490	B1 U0 G1
4L	4,270	B1 U0 G1	4,270	B1 U0 G1	4,270	B1 U0 G1	4,270	B1 U0 G1
6L	6,100	B1 U0 G2	6,100	B1 U0 G2	6,100	B1 U0 G2	6,100	B1 U0 G2
8L	8,475	B1 U0 G2	8,475	B1 U0 G2	6,925	B1 U0 G2	8,475	B1 U0 G2

* Initial delivered lumens at 25°C (77°F). Actual production yield may vary between -10 and +10% of initial delivered lumens
 ** For more information on the IES BUG (Backlight-Uplight-Glare) Rating visit: <https://www.ies.org/wp-content/uploads/2017/03/TM-15-11BUGRatingsAddendum.pdf>

XSP Series

XSPLG LED Street/Area Luminaire – Large

Rev. Date: V11 02/20/2023

Product Description

Designed from the ground up as a totally optimized LED street and area lighting system, the XSP Series delivers incredible efficiency without sacrificing application performance. Beyond substantial energy savings and reduced maintenance, Cree Lighting achieves greater optical control with our NanoOptic® Precision Delivery Grid™ optic when compared to traditional cobra head luminaires. The XSP Series is the better alternative for traditional street and area lighting with quick payback and improved performance.

Applications: Multi-lane freeways, express ways, major roads, parking lots, and general area spaces

Performance Summary

NanoOptic® Precision Delivery Grid™ optic

Assembled in the USA by Cree Lighting from US and imported parts

Initial Delivered Lumens: Up to 23,800

Efficacy: Up to 141 LPW

CRI: Minimum 70 CRI

CCT: 3000K, 4000K, 5000K, 5700K

Limited Warranty*: 10 years on luminaire; 10 years on Colorfast DeltaGuard® finish; up to 5 years for Synapse® accessories; 1 year on luminaire accessories

*See <http://creelighting.com/warranty> for warranty terms. For Synapse accessories, consult Synapse spec sheets for details on warranty terms.

Accessories

Field-Installed		
Backlight Control Shield XA-SP2BLS - Provides 1 mounting height cutoff - Polycarbonate construction - Refer to initial delivered lumen tables for lumen output	Bird Spikes XSP-BRDGRDL	Shorting Cap XA-XLSHRT

Ordering Information

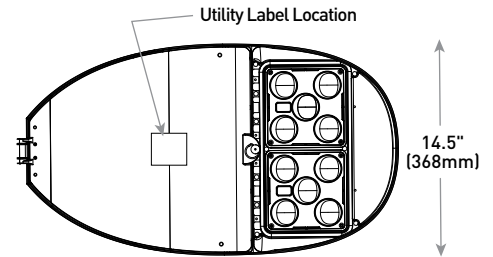
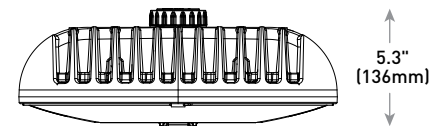
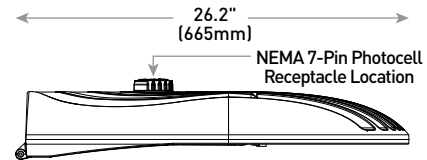
Example: XSPLG-D-HT-2LG-24L-30K7-UL-SV-N

XSPLG	D	HT						N	
Product	Version	Mounting*	Optic	Lumen Package***	CCT/CRI	Voltage	Color Options	Utility Label/ Receptacle	Options
XSPLG	D	HT Horizontal Tenon	Asymmetric 2LG** Type II Long 2ME** Type II Medium 3ME** Type III Medium 4ME** Type IV Medium Symmetric 5SH Type V Short	18L 18,000 Lumens 24L 24,000 Lumens	30K7 3000K, 70 CRI 40K7 4000K, 70 CRI 50K7 5000K, 70 CRI 57K7 5700K, 70 CRI	UL Universal 120-277V UH Universal 347-480V	BK Black BZ Bronze SV Silver WH White	N Utility Label and NEMA® 7-Pin Photocell Receptacle - External wattage label per ANSI C136.15-2020 - 7-pin receptacle per ANSI C136.41 - Receptacle leads are factory connected to the driver - Requires photocell or shorting cap (by others)	20KV 20kV/10kA Surge Suppression - Replaces standard 10kV/5kA surge protection DLI DALI Compatible - Available with UL voltage only - Not available with Q or X options G Small Four Bolt Mounting - Mounts to 1.25" (32mm) IP, 1.66" (42mm) O.D. horizontal tenon J Large Four Bolt Mounting - Mounts to 2" (51mm) IP, 2.375" (60mm) O.D. horizontal tenon Q9/Q8/Q7/Q6/Q5/Q4/Q3/Q2/Q1 Field Adjustable Output - Must select Q9, Q8, Q7, Q6, Q5, Q4, Q3, Q2, or Q1 - Offers full range lumen adjustability - Includes wattage label for setting selected - Refer to pages 8 and 9 for power and lumen values - Luminaire may also be dimmed through 7-Pin receptacle with use of dimming control by others X8/X7/X6/X5/X4/X3/X2/X1 Locked Lumen Output - Must select X8, X7, X6, X5, X4, X3, X2, or X1 - Lumen output is permanently locked to the setting selected - Includes wattage label for setting selected - Refer to pages 8 and 9 for power and lumen values - Dimming is only available through 7-Pin receptacle with use of dimming control by others

* Reference EPA and pole configuration suitability data on page 7

** Available with Backlight Shield when ordered with field-installed accessory (see table above)

*** Lumen Package codes identify approximate light output only. Actual lumen output levels may vary depending on CCT and optic selection. Refer to Initial Delivered Lumen tables for specific lumen values



Weight

23.4 lbs. (10.6kg)



US: creelighting.com (800) 236-6800

Canada: creelighting-canada.com (800) 473-1234

CREE LIGHTING®

Product Specifications


CONSTRUCTION & MATERIALS

- Die cast aluminum housing
- Tool-less entry
- Mounts on 1.25" [32mm] IP, 1.66" [42mm] O.D. or 2" [51mm] IP, 2.375" [60mm] O.D. horizontal tenon (minimum 8" [203mm] in length) and is adjustable +/- 5° to allow for fixture leveling (includes two axis T-level to aid in leveling)
- Luminaire secures with two 410 stainless steel mounting bolts; optional four point mounting available
- Exclusive Colorfast DeltaGuard® finish features an E-Coat epoxy primer with an ultra-durable black, bronze or silver powder topcoat, providing excellent resistance to corrosion, ultraviolet degradation and abrasion
- Comes standard with Utility Label per ANSI C136.15-2020 and 7-pin NEMA® Photocell Receptacle per ANSI C136.41
- **Weight:** 23.4 lbs. (10.6kg)

ELECTRICAL SYSTEM

- **Input Voltage:** 120-277V or 347-480V, 50/60Hz
- **Power Factor:** > 0.9 at full load
- **Total Harmonic Distortion:** < 20% at full load
- Integral 10kV/5kA surge suppression protection standard; 20kV/10kA surge suppression protection optional
- When code dictates fusing, a slow blow fuse or type C/D breaker should be used to address inrush
- Designed with 0-10V dimming capabilities. Controls by others
- **10V Source Current:** 0.15mA
- Luminaires with DLI option are DALI compatible per IEC 62386
- **Operating Temperature Range:** -40°C - +40°C (-40°F - +104°F)

REGULATORY & VOLUNTARY QUALIFICATIONS

- cULus Listed
- Suitable for wet locations
- Certified to ANSI C136.31-2001, 3G bridge and overpass vibration standards
- ANSI C136.2 10kV/5kA (standard) and 20kV/10kA (optional) surge protection, tested in accordance with IEEE/ANSI C62.41.2
- Meets FCC Part 15, Subpart B, Class A limits for conducted and radiated emissions
- Luminaire and finish endurance tested to withstand 5,000 hours of elevated ambient salt fog conditions as defined in ASTM Standard B 117
- Assembled in the USA by Cree Lighting from US and imported parts
- Meets Buy American requirements within ARRA
- RoHS compliant. Consult factory for additional details
- Dark Sky Friendly, IDA Approved when ordered with 30K7 CCT. Please refer to <https://www.darksky.org/our-work/lighting/lighting-for-industry/fsa/fsa-products/> for most current information
-  **CA RESIDENTS WARNING:** Cancer and Reproductive Harm - www.p65warnings.ca.gov

Product Specifications

SYNAPSE® SIMPLYSNAP INTELLIGENT CONTROL FOR NON-STREET LIGHTING APPLICATIONS ONLY

The XSP Series is compatible with the Synapse® SimplySNAP platform. A highly intuitive connected lighting solution for Site and Area applications only. The system features a reliable and robust self-healing mesh network with a browser-based interface that runs on smartphones, tablets, and PCs. Using a Twist-Lock Lighting Controller and Site Controller, SimplySnap provides: energy productivity, code compliance and a better light experience for non-street lighting installations. SimplySNAP is optimized to create and manage networks for campus wide Area and Site applications which differs from networking requirements for street lighting applications.

Synapse Wireless Control Accessories (for Non-Street Lighting Applications only)	
Twist-Lock Lighting Controller TL7-B2 - Suitable for 120-277V (UL) voltage only - Requires NEMA/ANSI C136.41 7-Pin Dimming Receptacle - Provides On/Off switching, dimming, power metering, digital sensor input, and status monitoring of luminaire - Refer to TL7-B2 spec sheet for details	Synapse Wireless Sensor WSN-DPM - Motion and light sensor - Control multiple zones - Refer to WSN-DPM spec sheet for details
Twist-Lock Lighting Controller TL7-HVG - Suitable for 120-480V (UL and UH) voltage - Requires NEMA/ANSI C136.41 7-Pin Dimming Receptacle - Provides On/Off switching, dimming, power metering, digital sensor input, and status monitoring of luminaire - Refer to TL7-HVG spec sheet for details	SimplySNAP On-Site Controller SS450-002 - Verizon® LTE-enabled - Designed for indoor applications - Refer to SS450-002 spec sheet for details
SimplySNAP Central Base Station CBSSW-450-002 - Includes On-Site Controller (SS450-002) and 5-button switch - Indoor and Outdoor rated - Refer to CBSSW-450-002 spec sheet for details	Building Management System (BMS) Gateway BMS-GW-002 - Required for BACnet integration - Refer to BMS-GW-002 spec sheet for details
	Outdoor Antennas (Optional, for increased range, 8dB gain) KIT-ANT420SM - Kit includes antenna, 20' cable and bracket KIT-ANT360 - Kit includes antenna, 30' cable and bracket KIT-ANT600 - Kit includes antenna, 50' cable and bracket - Refer to Outdoor antenna spec sheet for details

Electrical Data*										
Lumen Package	Optics	CCT/ CRI	System Watts 120-480V	Utility Label Wattage**	Total Current (A)					
					120V	208V	240V	277V	347V	480V
18L	All	All	135	140	1.13	0.65	0.57	0.49	0.39	0.28
24L	All	All	184	180	1.54	0.89	0.77	0.67	0.54	0.39

* Electrical data at 25°C (77°F). Actual wattage may differ by +/- 10% when operating between 120-277V or 347-480V +/- 10%
 ** Refer to Field Adjustable Output table beginning on page 8 for utility label lumen values

XSP Series (XSPLG) Ambient Adjusted Lumen Maintenance ¹						
Ambient	Optics	Initial LMF	25K hr Reported ² LMF	50K hr Reported ² LMF	75K hr Reported ² / Estimated ³ LMF	100K hr Reported ² / Estimated ³ LMF
5°C (41°F)	Asymmetric	1.03	1.02	1.00	0.98 ²	0.96 ²
	Symmetric	1.04	1.03	1.03	1.03 ³	1.03 ³
10°C (50°F)	Asymmetric	1.03	1.02	1.00	0.98 ²	0.96 ²
	Symmetric	1.03	1.02	1.02	1.02 ²	1.02 ³
15°C (59°F)	Asymmetric	1.02	1.01	0.99	0.97 ²	0.95 ²
	Symmetric	1.02	1.01	1.01	1.01 ³	1.01 ³
20°C (68°F)	Asymmetric	1.01	1.00	0.98	0.96 ²	0.94 ²
	Symmetric	1.01	1.01	1.00	1.00 ³	1.00 ³
25°C (77°F)	Asymmetric	1.00	0.99	0.97	0.95 ²	0.93 ²
	Symmetric	1.00	0.99	0.99	0.99 ³	0.99 ³

¹ Lumen maintenance values at 25°C (77°F) are calculated per IES TM-21 based on IES LM-80 report data for the LED package and in-situ luminaire testing. Luminaire ambient temperature factors (LATF) have been applied to all lumen maintenance factors. Please refer to the [Temperature Zone Reference Document](#) for outdoor average nighttime ambient conditions.

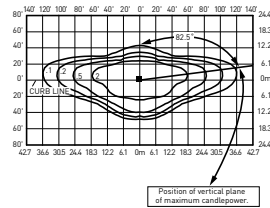
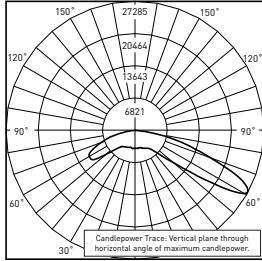
² In accordance with IES TM-21, Reported values represent interpolated values based on time durations that are up to 6x the tested duration in the IES LM-80 report for the LED.

³ Estimated values are calculated and represent time durations that exceed the 6x test duration of the LED.

Photometry

All published luminaire photometric testing performed to IES LM-79 standards. To obtain an IES file specific to your project consult: <http://creelighting.com/products/outdoor/street-and-roadway/xsp-series>

2LG

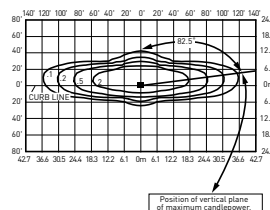
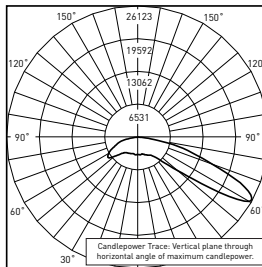


RESTL Test Report #: PL12765-007B
XSPLG-D--2LG-24L-40K7-UL-**-N**
Initial Delivered Lumens: 23,437

XSPLG-D--2LG-24L-40K7-UL-**-N**
Mounting Height: 25' [7.6m] A.F.G.
Initial Delivered Lumens: 23,600
Initial FC at grade

Type II Long Distribution								
Lumen Package	3000K		4000K		5000K		5700K	
	Initial Delivered Lumens*	BUG Ratings** Per TM-15-11	Initial Delivered Lumens*	BUG Ratings** Per TM-15-11	Initial Delivered Lumens*	BUG Ratings** Per TM-15-11	Initial Delivered Lumens*	BUG Ratings** Per TM-15-11
18L	18,100	B3 U0 G3	18,700	B3 U0 G3	18,800	B3 U0 G3	18,800	B3 U0 G3
24L	23,000	B4 U0 G3	23,600	B4 U0 G3	23,800	B4 U0 G3	23,800	B4 U0 G3

* Initial delivered lumens at 25°C [77°F]. Actual production yield may vary between -10 and +10% of initial delivered lumens
 ** For more information on the IES BUG (Backlight-Uplight-Glare) Rating visit: <https://www.ies.org/wp-content/uploads/2017/03/TM-15-11BUGRatingsAddendum.pdf>



RESTL Test Report #: PL12765-008B
XSPLG-D--2LG-24L-40K7-UL-**-N**
w/XA-SP2BLS
Initial Delivered Lumens: 17,373

XSPLG-D--2LG-24L-40K7-UL-**-N**
w/XA-SP2BLS
Mounting Height: 25' [7.6m] A.F.G.
Initial Delivered Lumens: 17,500
Initial FC at grade

Type II Long w/BLS Distribution								
Lumen Package	3000K		4000K		5000K		5700K	
	Initial Delivered Lumens*	BUG Ratings** Per TM-15-11	Initial Delivered Lumens*	BUG Ratings** Per TM-15-11	Initial Delivered Lumens*	BUG Ratings** Per TM-15-11	Initial Delivered Lumens*	BUG Ratings** Per TM-15-11
18L	13,400	B2 U0 G2	13,850	B2 U0 G2	13,900	B2 U0 G2	13,900	B2 U0 G2
24L	17,000	B3 U0 G3	17,500	B3 U0 G3	17,600	B3 U0 G3	17,600	B3 U0 G3

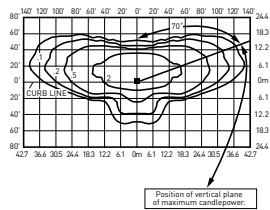
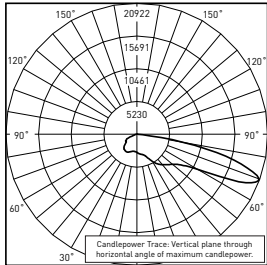
* Initial delivered lumens at 25°C [77°F]. Actual production yield may vary between -10 and +10% of initial delivered lumens
 ** For more information on the IES BUG (Backlight-Uplight-Glare) Rating visit: <https://www.ies.org/wp-content/uploads/2017/03/TM-15-11BUGRatingsAddendum.pdf>

XSPLG LED Street/Area Luminaire – Large

Photometry

All published luminaire photometric testing performed to IES LM-79 standards. To obtain an IES file specific to your project consult: <http://creelighting.com/products/outdoor/street-and-roadway/xsp-series>

2ME

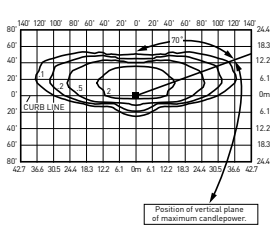
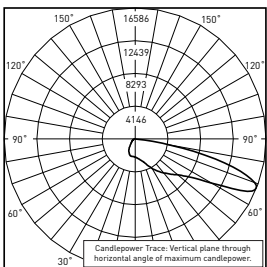


RESTL Test Report #: PL12765-003B
XSPLG-D--2ME-24L-40K7-UL-**-N**
Initial Delivered Lumens: 23,168

XSPLG-D--2ME-24L-40K7-UL-**-N**
Mounting Height: 25' (7.6m) A.F.G.
Initial Delivered Lumens: 23,600
 Initial FC at grade

Type II Medium Distribution								
Lumen Package	3000K		4000K		5000K		5700K	
	Initial Delivered Lumens*	BUG Ratings** Per TM-15-11	Initial Delivered Lumens*	BUG Ratings** Per TM-15-11	Initial Delivered Lumens*	BUG Ratings** Per TM-15-11	Initial Delivered Lumens*	BUG Ratings** Per TM-15-11
18L	18,100	B3 U0 G3	18,700	B3 U0 G3	18,800	B3 U0 G3	18,800	B3 U0 G3
24L	23,000	B3 U0 G3	23,600	B3 U0 G3	23,800	B3 U0 G3	23,800	B3 U0 G3

* Initial delivered lumens at 25°C (77°F). Actual production yield may vary between -10 and +10% of initial delivered lumens
 ** For more information on the IES BUG (Backlight-Uplight-Glare) Rating visit: <https://www.ies.org/wp-content/uploads/2017/03/TM-15-11BUGRatingsAddendum.pdf>



RESTL Test Report #: PL12765-004B
XSPLG-D--2ME-24L-40K7-UL-**-N**
w/XA-SP2BLS
Initial Delivered Lumens: 17,757

XSPLG-D--2ME-24L-40K7-UL-**-N**
w/XA-SP2BLS
Mounting Height: 25' (7.6m) A.F.G.
Initial Delivered Lumens: 18,200
 Initial FC at grade

Type II Medium w/BLS Distribution								
Lumen Package	3000K		4000K		5000K		5700K	
	Initial Delivered Lumens*	BUG Ratings** Per TM-15-11	Initial Delivered Lumens*	BUG Ratings** Per TM-15-11	Initial Delivered Lumens*	BUG Ratings** Per TM-15-11	Initial Delivered Lumens*	BUG Ratings** Per TM-15-11
18L	13,925	B1 U0 G2	14,400	B1 U0 G2	14,475	B1 U0 G2	14,475	B1 U0 G2
24L	17,700	B2 U0 G3	18,200	B2 U0 G3	18,300	B2 U0 G3	18,300	B2 U0 G3

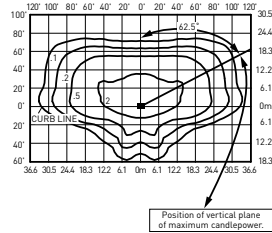
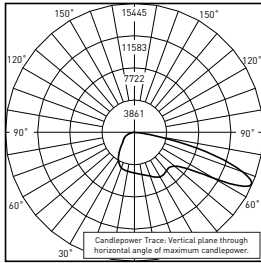
* Initial delivered lumens at 25°C (77°F). Actual production yield may vary between -10 and +10% of initial delivered lumens
 ** For more information on the IES BUG (Backlight-Uplight-Glare) Rating visit: <https://www.ies.org/wp-content/uploads/2017/03/TM-15-11BUGRatingsAddendum.pdf>

XSPLG LED Street/Area Luminaire – Large

Photometry

All published luminaire photometric testing performed to IES LM-79 standards. To obtain an IES file specific to your project consult: <http://creelighting.com/products/outdoor/street-and-roadway/xsp-series>

3ME

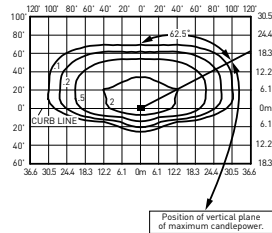
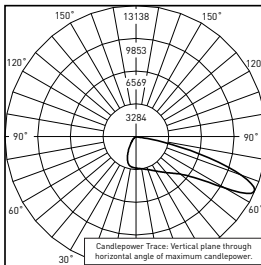


RESTL Test Report #: PL12765-001B
XSPLG-D--3ME-24L-40K7-UL-**-N**
Initial Delivered Lumens: 23,083

XSPLG-D--3ME-24L-40K7-UL-**-N**
Mounting Height: 25' (7.6m) A.F.G.
Initial Delivered Lumens: 23,600
 Initial FC at grade

Type III Medium Distribution								
Lumen Package	3000K		4000K		5000K		5700K	
	Initial Delivered Lumens*	BUG Ratings** Per TM-15-11	Initial Delivered Lumens*	BUG Ratings** Per TM-15-11	Initial Delivered Lumens*	BUG Ratings** Per TM-15-11	Initial Delivered Lumens*	BUG Ratings** Per TM-15-11
18L	18,100	B3 U0 G3	18,700	B3 U0 G3	18,800	B3 U0 G3	18,800	B3 U0 G3
24L	23,000	B3 U0 G3	23,600	B3 U0 G4	23,800	B3 U0 G4	23,800	B3 U0 G4

* Initial delivered lumens at 25°C (77°F). Actual production yield may vary between -10 and +10% of initial delivered lumens
 ** For more information on the IES BUG (Backlight-Uplight-Glare) Rating visit: <https://www.ies.org/wp-content/uploads/2017/03/TM-15-11BUGRatingsAddendum.pdf>



RESTL Test Report #: PL12765-002B
XSPLG-D--3ME-24L-40K7-UL-**-N**
w/XA-SP2BLS
Initial Delivered Lumens: 16,503

XSPLG-D--3ME-24L-40K7-UL-**-N**
w/XA-SP2BLS
Mounting Height: 25' (7.6m) A.F.G.
Initial Delivered Lumens: 16,800
 Initial FC at grade

Type III Medium w/BLS Distribution								
Lumen Package	3000K		4000K		5000K		5700K	
	Initial Delivered Lumens*	BUG Ratings** Per TM-15-11	Initial Delivered Lumens*	BUG Ratings** Per TM-15-11	Initial Delivered Lumens*	BUG Ratings** Per TM-15-11	Initial Delivered Lumens*	BUG Ratings** Per TM-15-11
18L	12,850	B2 U0 G2	13,275	B2 U0 G2	13,350	B2 U0 G2	13,350	B2 U0 G2
24L	16,300	B2 U0 G3	16,800	B2 U0 G3	16,900	B2 U0 G3	16,900	B2 U0 G3

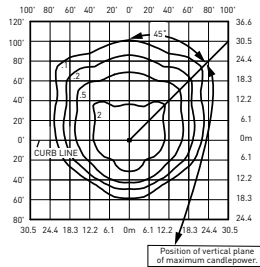
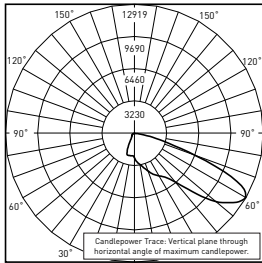
* Initial delivered lumens at 25°C (77°F). Actual production yield may vary between -10 and +10% of initial delivered lumens
 ** For more information on the IES BUG (Backlight-Uplight-Glare) Rating visit: <https://www.ies.org/wp-content/uploads/2017/03/TM-15-11BUGRatingsAddendum.pdf>

XSPLG LED Street/Area Luminaire – Large

Photometry

All published luminaire photometric testing performed to IES LM-79 standards. To obtain an IES file specific to your project consult: <http://creelighting.com/products/outdoor/street-and-roadway/xsp-series>

4ME

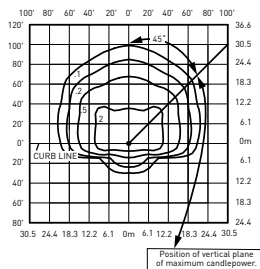
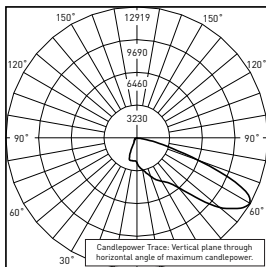


RESTL Test Report #: PL12765-005B
XSPLG-D--4ME-24L-40K7-UL-**-N**
Initial Delivered Lumens: 23,195

XSPLG-D--4ME-24L-40K7-UL-**-N**
Mounting Height: 25' (7.6m) A.F.G.
Initial Delivered Lumens: 23,600
Initial FC at grade

Type IV Medium Distribution								
Lumen Package	3000K		4000K		5000K		5700K	
	Initial Delivered Lumens*	BUG Ratings** Per TM-15-11	Initial Delivered Lumens*	BUG Ratings** Per TM-15-11	Initial Delivered Lumens*	BUG Ratings** Per TM-15-11	Initial Delivered Lumens*	BUG Ratings** Per TM-15-11
18L	18,100	B3 U0 G3	18,700	B3 U0 G3	18,800	B3 U0 G3	18,800	B3 U0 G3
24L	23,000	B3 U0 G3	23,600	B3 U0 G3	23,800	B4 U0 G3	23,800	B4 U0 G3

* Initial delivered lumens at 25°C (77°F). Actual production yield may vary between -10 and +10% of initial delivered lumens
 ** For more information on the IES BUG (Backlight-Uplight-Glare) Rating visit: <https://www.ies.org/wp-content/uploads/2017/03/TM-15-11BUGRatingsAddendum.pdf>



RESTL Test Report #: PL12765-006B
XSPLG-D--4ME-24L-40K7-UL-**-N**
w/XA-SP2BLS
Initial Delivered Lumens: 16,941

XSPLG-D--4ME-24L-40K7-UL-**-N**
w/XA-SP2BLS
Mounting Height: 25' (7.6m) A.F.G.
Initial Delivered Lumens: 17,200
Initial FC at grade

Type IV Medium w/BLS Distribution								
Lumen Package	3000K		4000K		5000K		5700K	
	Initial Delivered Lumens*	BUG Ratings** Per TM-15-11	Initial Delivered Lumens*	BUG Ratings** Per TM-15-11	Initial Delivered Lumens*	BUG Ratings** Per TM-15-11	Initial Delivered Lumens*	BUG Ratings** Per TM-15-11
18L	13,225	B2 U0 G2	13,650	B2 U0 G2	13,725	B2 U0 G2	13,725	B2 U0 G2
24L	16,800	B2 U0 G2	17,200	B2 U0 G3	17,400	B2 U0 G3	17,400	B2 U0 G3

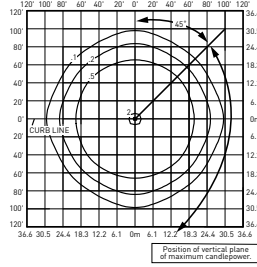
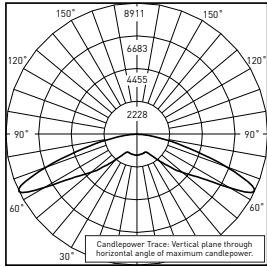
* Initial delivered lumens at 25°C (77°F). Actual production yield may vary between -10 and +10% of initial delivered lumens
 ** For more information on the IES BUG (Backlight-Uplight-Glare) Rating visit: <https://www.ies.org/wp-content/uploads/2017/03/TM-15-11BUGRatingsAddendum.pdf>

XSPLG LED Street/Area Luminaire – Large

Photometry

All published luminaire photometric testing performed to IES LM-79 standards. To obtain an IES file specific to your project consult: <http://creelighting.com/products/outdoor/street-and-roadway/xsp-series>

5SH



RESTL Test Report #: PL14063-001A
XSPLG-D--5SH-24L-30K7-UL-**-N**
Initial Delivered Lumens: 21,359

XSPLG-D--5SH-24L-30K7-UL-**-N**
Mounting Height: 25' (7.6m) A.F.G.
Initial Delivered Lumens: 21,700
 Initial FC at grade

Type V Short Distribution								
Lumen Package	3000K		4000K		5000K		5700K	
	Initial Delivered Lumens*	BUG Ratings** Per TM-15-11	Initial Delivered Lumens*	BUG Ratings** Per TM-15-11	Initial Delivered Lumens*	BUG Ratings** Per TM-15-11	Initial Delivered Lumens*	BUG Ratings** Per TM-15-11
18L	18,100	B4 U0 G3	19,000	B5-U0-G3	19,000	B5 U0 G3	19,000	B5 U0 G3
24L	21,700	B5 U0 G3	22,800	B5-U0-G3	22,800	B5 U0 G3	22,800	B5 U0 G3

* Initial delivered lumens at 25°C (77°F). Actual production yield may vary between -10 and +10% of initial delivered lumens
 ** For more information on the IES BUG (Backlight-Uplight-Glare) Rating visit: <https://www.ies.org/wp-content/uploads/2017/03/TM-15-11BUGRatingsAddendum.pdf>

Luminaire EPA

Horizontal Tenon Mount – Weight: 23.4 lbs. (10.6kg)				
Single	2 @ 90°	2 @ 180°	3 @ 90°	4 @ 90°
Tenon Configuration If used with Cree Lighting tenons, please add tenon EPA with luminaire EPA				
PD-1H4; PT-1H	PD-2H4(90); PT-2H(90)	PD-2H4(180); PT-2H(180)	PD-3H4(90); PT-3H(90)	PD-4H4(90); PT-4H(90)
0.69	1.14	1.38	1.83	2.28

Tenon EPA

Part Number	EPA
PD Series Tenons	0.09
PT Series Tenons	0.10
WM-2L	0.13
XA-TMDA8	0.19

Tenons and Brackets [†] (must specify color)	
Square Internal Mount Horizontal Tenons (Aluminum) - Mounts to 4" (102mm) square aluminum or steel poles PD-1H4 – Single PD-3H4(90) – 90° Triple PD-2H4(90) – 90° Twin PD-4H4(90) – 90° Quad PD-2H4(180) – 180° Twin	Round External Mount Horizontal Tenons (Aluminum) - Mounts to 2.375"-3" (60-76mm) O.D. round aluminum or steel poles or tenons - Mounts to 3" (76mm), 4" (102mm), 5" (127mm), or 6" (152mm) square pole with PB-1A* tenon PT-1H – Single PT-3H(90) – 90° Triple PT-2H(90) – 90° Twin PT-4H(90) – 90° Quad PT-2H(180) – 180° Twin
Wall Mount Brackets - Mounts to wall or roof WM-2L – Extended Horizontal	Direct Arm Pole Adaptor Bracket - Mounts to 3-6" (76-152mm) round or square aluminum or steel poles XA-TMDA8

[†] Refer to the [Bracket and Tenons spec sheet](#) for more details
 * Specify pole size: 3 (3"), 4 (4"), 5 (5"), or 6 (6") for single, double or triple luminaire orientation or 4 (4"), 5 (5") or 6 (6") for quad luminaire orientation

XSPLG LED Street/Area Luminaire – Large

Field Adjustable Output (Q9/Q8/Q7/Q6/Q5/Q4/Q3/Q2/Q1) Option Description:

The Field Adjustable Output option enables the street and area luminaire within the XSP Series on this page to be tuned to the exact needs of a particular application through multiple levels of adjustment. When ordered with the Q option, the luminaire will be shipped from the factory at the selected lumen output, will be fully adjustable between the outputs, and will include an ANSI C136.15-2020 utility label that indicates the wattage (rounded to nearest 10W), the lumen output (rounded to nearest 1000 lumens), and the CCT of the luminaire at the selected lumen output. Additional dimming functionality is available when a dimming control (by others) is used in the 7-Pin receptacle.

Locked Lumen Output (X8/X7/X6/X5/X4/X3/X2/X1) Option Description:

The Locked Lumen Output option on this page permanently locks the lumen output on the XSP Series street and area luminaire to the setting selected. When ordered with the X option, the luminaire will be shipped from the factory at the lumen output setting selected, and will include a utility label that indicates the wattage, lumen output, and CCT of the setting selected. When this option is selected, the luminaire output is not able to be adjusted in the field except if a dimming control (by others) is used in the 7-Pin receptacle.

Q & X Option Power & Lumen Data – 18L

Q Option Setting	X Option Setting	CCT/CRI	System Watts*	Lumen Values*						Utility Label		
				120-480V	2LG/2ME/ 3ME/4ME	5SH	2LG w/BLS	2ME w/BLS	3ME w/BLS	4ME w/BLS	Label Wattage	Label Lumens
												2LG/2ME/3ME/4ME
Q9	N/A (Full Power)	30K7	135	18,100	18,100	13,400	13,925	12,850	13,225	140	18000 L	18000 L
		40K7		18,700	19,000	13,850	14,400	13,275	13,650			19000 L
		50K7		18,800	19,000	13,900	14,475	13,350	13,725			
		57K7		18,800	19,000	13,900	14,475	13,350	13,725			
Q8	X8	30K7	128	17,300	17,500	12,800	13,325	12,275	12,625	130	17000 L	18000 L
		40K7		17,900	18,700	13,250	13,775	12,700	13,075			18000 L
		50K7		18,000	18,200	13,325	13,850	12,775	13,150			
		57K7		18,000	18,200	13,325	13,850	12,775	13,150			
Q7	X7	30K7	121	16,500	16,800	12,200	12,700	11,725	12,050	120	17000 L	17000 L
		40K7		17,100	17,900	12,650	13,175	12,150	12,475			
		50K7		17,200	17,500	12,725	13,250	12,200	12,550			
		57K7		17,200	17,500	12,725	13,250	12,200	12,550			
Q6	X6	30K7	115	15,900	16,300	11,775	12,250	11,300	11,600	120	16000 L	16000 L
		40K7		16,500	17,400	12,200	12,700	11,725	12,050			17000 L
		50K7		16,600	17,000	12,275	12,775	11,775	12,125			
		57K7		16,600	17,000	12,275	12,775	11,775	12,125			
Q5	X5	30K7	105	14,750	14,975	10,925	11,350	10,475	10,775	110	15000 L	15000 L
		40K7		15,300	16,000	11,325	11,775	10,875	11,175			
		50K7		15,400	15,600	11,400	11,850	10,925	11,250			
		57K7		15,400	15,600	11,400	11,850	10,925	11,250			
Q4	X4	30K7	95	13,475	14,075	9,975	10,375	9,575	9,825	100	13000 L	14000 L
		40K7		13,975	15,000	10,350	10,750	9,925	10,200			14000 L
		50K7		14,025	14,700	10,375	10,800	9,950	10,250			
		57K7		14,025	14,700	10,375	10,800	9,950	10,250			
Q3	X3	30K7	85	12,275	12,750	9,075	9,450	8,725	8,950	90	12000 L	13000 L
		40K7		12,725	13,600	9,425	9,800	9,025	9,300			13000 L
		50K7		12,775	13,300	9,450	9,825	9,075	9,325			
		57K7		12,775	13,300	9,450	9,825	9,075	9,325			
Q2	X2	30K7	76	11,075	11,575	8,200	8,525	7,875	8,075	80	11000 L	12000 L
		40K7		11,475	12,350	8,500	8,825	8,150	8,375			
		50K7		11,525	12,100	8,525	8,875	8,175	8,425			
		57K7		11,525	12,100	8,525	8,875	8,175	8,425			
Q1	X1	30K7	67	9,850	10,575	7,300	7,575	7,000	7,200	70	10000 L	11000 L
		40K7		10,200	11,275	7,550	7,850	7,250	7,450			
		50K7		10,250	11,000	7,575	7,900	7,275	7,475			
		57K7		10,250	11,000	7,575	7,900	7,275	7,475			

* Electrical and lumen data at 25°C (77°F). Actual wattage and lumen output may differ by +/-10% when operating between 120-277V or 347-480V +/-10%

Field Adjustable Output (Q9/Q8/Q7/Q6/Q5/Q4/Q3/Q2/Q1) Option Description:

The Field Adjustable Output option enables the street and area luminaire within the XSP Series on this page to be tuned to the exact needs of a particular application through multiple levels of adjustment. When ordered with the Q option, the luminaire will be shipped from the factory at the selected lumen output, will be fully adjustable between the outputs, and will include an ANSI C136.15-2020 utility label that indicates the wattage (rounded to nearest 10W), the lumen output (rounded to nearest 1000 lumens), and the CCT of the luminaire at the selected lumen output. Additional dimming functionality is available when a dimming control (by others) is used in the 7-Pin receptacle.

Locked Lumen Output (X8/X7/X6/X5/X4/X3/X2/X1) Option Description:

The Locked Lumen Output option on this page permanently locks the lumen output on the XSP Series street and area luminaire to the setting selected. When ordered with the X option, the luminaire will be shipped from the factory at the lumen output setting selected, and will include a utility label that indicates the wattage, lumen output, and CCT of the setting selected. When this option is selected, the luminaire output is not able to be adjusted in the field except if a dimming control (by others) is used in the 7-Pin receptacle.

Q & X Option Power & Lumen Data – 24L

Q Option Setting	X Option Setting	CCT/CRI	System Watts*		Lumen Values*					Utility Label		
			120-480V	2LG/2ME/ 3ME/4ME	5SH	2LG w/BLS	2ME w/BLS	3ME w/BLS	4ME w/BLS	Label Wattage	Label Lumens	
											2LG/2ME/3ME/4ME	5SH
Q9	N/A (Full Power)	30K7	184	23,000	21,700	17,000	17,700	16,300	16,800	180	23000 L	22000 L
		40K7		23,600	22,800	17,500	18,200	16,800	17,200		24000 L	23000 L
		50K7		23,800	22,800	17,600	18,300	16,900	17,400			
		57K7		23,800	22,800	17,600	18,300	16,900	17,400			
Q8	X8	30K7	174	22,300	21,000	16,500	17,200	15,800	16,300	170	22000 L	21000 L
		40K7		22,900	22,400	16,900	17,600	16,300	16,700		23000 L	22000 L
		50K7		23,000	21,900	17,000	17,700	16,300	16,800			
		57K7		23,000	21,900	17,000	17,700	16,300	16,800			
Q7	X7	30K7	164	21,300	20,100	15,800	16,400	15,100	15,500	160	21000 L	20000 L
		40K7		21,900	21,500	16,200	16,900	15,500	16,000		22000 L	21000 L
		50K7		22,100	21,000	16,400	17,000	15,700	16,100			
		57K7		22,100	21,000	16,400	17,000	15,700	16,100			
Q6	X6	30K7	156	20,700	19,500	15,300	15,900	14,700	15,100	160	21000 L	20000 L
		40K7		21,300	20,800	15,800	16,400	15,100	15,500		21000 L	20000 L
		50K7		21,400	20,400	15,800	16,500	15,200	15,600			
		57K7		21,400	20,400	15,800	16,500	15,200	15,600			
Q5	X5	30K7	143	19,000	18,000	14,050	14,625	13,500	13,875	140	19000 L	18000 L
		40K7		19,600	19,200	14,500	15,100	13,925	14,300		20000 L	19000 L
		50K7		19,700	18,700	14,575	15,200	13,975	14,375			
		57K7		19,700	18,700	14,575	15,200	13,975	14,375			
Q4	X4	30K7	128	17,800	16,900	13,175	13,700	12,650	13,000	130	18000 L	17000 L
		40K7		18,400	18,000	13,625	14,175	13,075	13,425		19000 L	18000 L
		50K7		18,500	17,600	13,700	14,250	13,125	13,500			
		57K7		18,500	17,600	13,700	14,250	13,125	13,500			
Q3	X3	30K7	116	16,200	15,300	12,000	12,475	11,500	11,825	120	16000 L	15000 L
		40K7		16,700	16,300	12,350	12,850	11,850	12,200		17000 L	16000 L
		50K7		16,800	15,900	12,425	12,925	11,925	12,275			
		57K7		16,800	15,900	12,425	12,925	11,925	12,275			
Q2	X2	30K7	103	14,725	13,900	10,900	11,350	10,450	10,750	100	15000 L	14000 L
		40K7		15,100	14,825	11,175	11,625	10,725	11,025		15000 L	15000 L
		50K7		15,300	14,500	11,325	11,775	10,875	11,175			
		57K7		15,300	14,500	11,325	11,775	10,875	11,175			
Q1	X1	30K7	91	13,450	12,675	9,950	10,350	9,550	9,825	90	13000 L	13000 L
		40K7		13,825	13,525	10,225	10,650	9,825	10,100		14000 L	13000 L
		50K7		13,925	13,200	10,300	10,725	9,875	10,175			
		57K7		13,925	13,200	10,300	10,725	9,875	10,175			

* Electrical and lumen data at 25°C (77°F). Actual wattage and lumen output may differ by +/-10% when operating between 120-277V or 347-480V +/-10%