



Autonomous Solar

Street Light

# SMARTLIGHT SINGLE CK 16B



**Project:** G6652 - Zebulon, NC - Dominos

**Notes:** Panels require clear, unshaded solar access to the South.

CK 16B	4K	T4	-	P310F	4P	HW-MC	25Ft. Round Tapered Pole-Direct Burial-1-4FT Arm	BK	BK	10
Fixture	Temp	Type	HS	Solar	Power Center	Option	Pole	Color (Pole)	Color (Fixture)	Tilt Panel

## The Most Reliable Solar Lighting in the World

We keep our solutions simple with Smartlight—one proven, powerful solar light that meets a wide range of needs. Its unique black solar panel looks elegant, day or night. No hanging wires or bulky battery box. No solar panel that looks like a high school science project. We use powerful components and smart controls to provide all the energy you need in a sleek package, so you can count on all-night lighting all year around.

**175,000**

SmartLight Systems Installed Worldwide

**365**

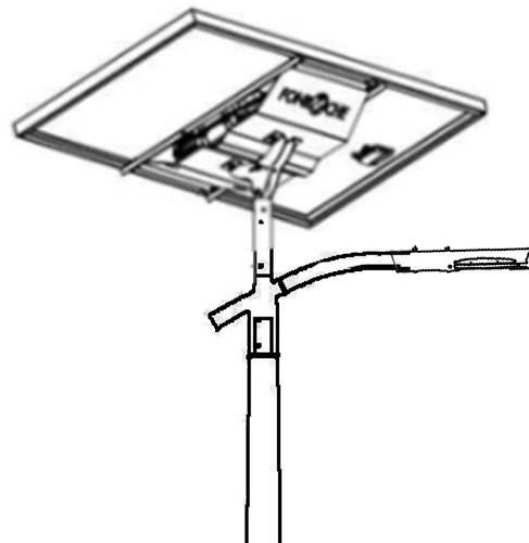
Nights of Lighting per Year Guaranteed

**5 Years**

Warranty, Including the Battery With No Pro-Rating

**\$0**

Zero Trenching Cost, Zero Electric Bills and Zero Maintenance



# CK 16B SmartLight

## Single CK 16B



LUMINAIRE PRODUCT CODE	COLOR TEMP	DISTRIBUTION	COLOR	HOUSE SIDE SHIELD OPTION	WEIGHT LBS	EPA Ft <sup>2</sup>
<b>CK 16B</b>	3000K, <b>4000K</b>	T2, <b>T4</b>	Black	NA	7	.26
Custom						

SOLAR MODULE ASSEMBLY PRODUCT CODE / DESCRIPTION	DIMENSIONS SOLAR MODULE	MODULE FRAME & BACK SHEET
<b>P160F</b> 160W PolyCrystalline Solar Module with Steel Mount - Tilt Adjustment (0,10,25 or 45 Degree) Mount Galvanized and Powder Coated. IEC 61730-1:2019 and IEC 61215-2:2017 Includes Hydrophobic Coating	43.31 x 33.46 x 1.57	Black
<b>P270F</b> 270W PolyCrystalline Solar Module with Steel Mount - Tilt Adjustment (0,10,25 or 45 Degree) Mount Galvanized and Powder Coated IEC 61730-1:2019 and IEC 61215-2:2017 Includes Hydrophobic Coating	66.93 x 40.55 x 1.81	Black
<b>P310F</b> 310W PolyCrystalline Solar Module with Steel Mount - Tilt Adjustment (0,10,25 or 45 Degree) Mount Galvanized and Powder Coated IEC 61730-1:2019 and IEC 61215-2:2017 Includes Hydrophobic Coating	66.93 x 42.13 x 1.57	Black

<b>Heavy Duty Mount Adder (Required with 45 degree tilt)</b>	
<b>HW-MC</b>	Heavy Duty Mount Galvanized with Marine Powder Coat Upgrade

POWER 365 ASSEMBLY PRODUCT CODE / DESCRIPTION	BATTERIES
<b>1P</b> Power 365 Power Center with 312 Wh NiMH Battery Capacity -IP65	Chemistry Nickel Metal Hydride
<b>2P</b> Power 365 Power Center with 624 Wh NiMH Battery Capacity-IP65	Operating Temperature -40°C to +70°C
<b>3P</b> Power 365 Power Center with 936 Wh NiMH Battery Capacity-IP65	Warranty 5 Year Full Replacement
<b>4P</b> Power 365 Power Center with 1248 Wh NiMH Battery Capacity-IP65	Certifications EN 550 14-1 ; EN 55014-2 ; EN 61000-6-2 ; EN 61000-6-3

Controller Battery Management System (BMS) Anti-Black Out Control 3-Level Programmable Lighting Profiles	TOTAL TOP OF POLE ASSEMBLY - PANEL, MOUNTING, 365 POWER CENTER							
	Weight (Pounds)					EPA (Sq.Ft.)		
	Solar Assembly	1P	2P	3P	<b>4P</b>	<b>10° Tilt</b>	25° Tilt	45° Tilt

System Warranty and Certification									
System Warranty	5 Years	P160FHW-MC	102.73	113.31	123.89	134.48	2.67	3.89	7.45
Solar Performance Warranty	25 Years	P270F-HW-MC	120.37	130.95	141.53	152.12	4.48	7.24	13.93
System Certification	CE	<b>P310F-HW-MC</b>	120.37	130.95	141.53	<b>152.12</b>	<b>4.48</b>	7.38	14.36

POLE SELECTED BASED ON PROJECT CONDITIONS		MOUNTING HEIGHT		
PRODUCT CODE / DESCRIPTION	NOMINAL HEIGHT	2' ARM	4' & 6' ARM	
14Ft. Round Tapered Pole-Anchor Base	14'	15'3"	15'8"	
20Ft. Round Tapered Pole-Anchor Base	20'	21'3"	21'8"	
25Ft. Round Tapered Pole-Anchor Base	25'	26'3"	26'8"	
14Ft. Round Tapered Pole-Direct Burial	14'	15'3"	15'8"	
20Ft. Round Tapered Pole-Direct Burial	20'	21'3"	21'8"	
<b>25Ft. Round Tapered Pole-Direct Burial</b>	<b>25'</b>	26'3"	<b>26'8"</b>	

CST - Pole

<b>CK 16B</b>	<b>4K</b>	<b>T4</b>		<b>P310F</b>	<b>4P</b>	<b>HW-MC</b>	<b>25Ft. Round Tapered Pole-Direct Burial-1-4FT Arm</b>	<b>BK</b>	<b>BK</b>	<b>10</b>
Fixture	Temp	Type	HS	Solar	Power Center	Option	Pole	Color (Pole)	Color (Fixture)	Tilt Panel



# CK 16B

Fonroche’s own CK 16B LED Luminaire delivers exceptional efficacy. You’ll get up to 190 lumens per watt, depending on the distribution type and color temperature. This means you get more light output for your solar power investment.

The sleek design is available in two distribution types and in both 3000K and 4000K color temperatures. This versatile fixture is appropriate for roadways, parking and pedestrian lighting.

**Project:** G6652 - Zebulon, NC - Dominos

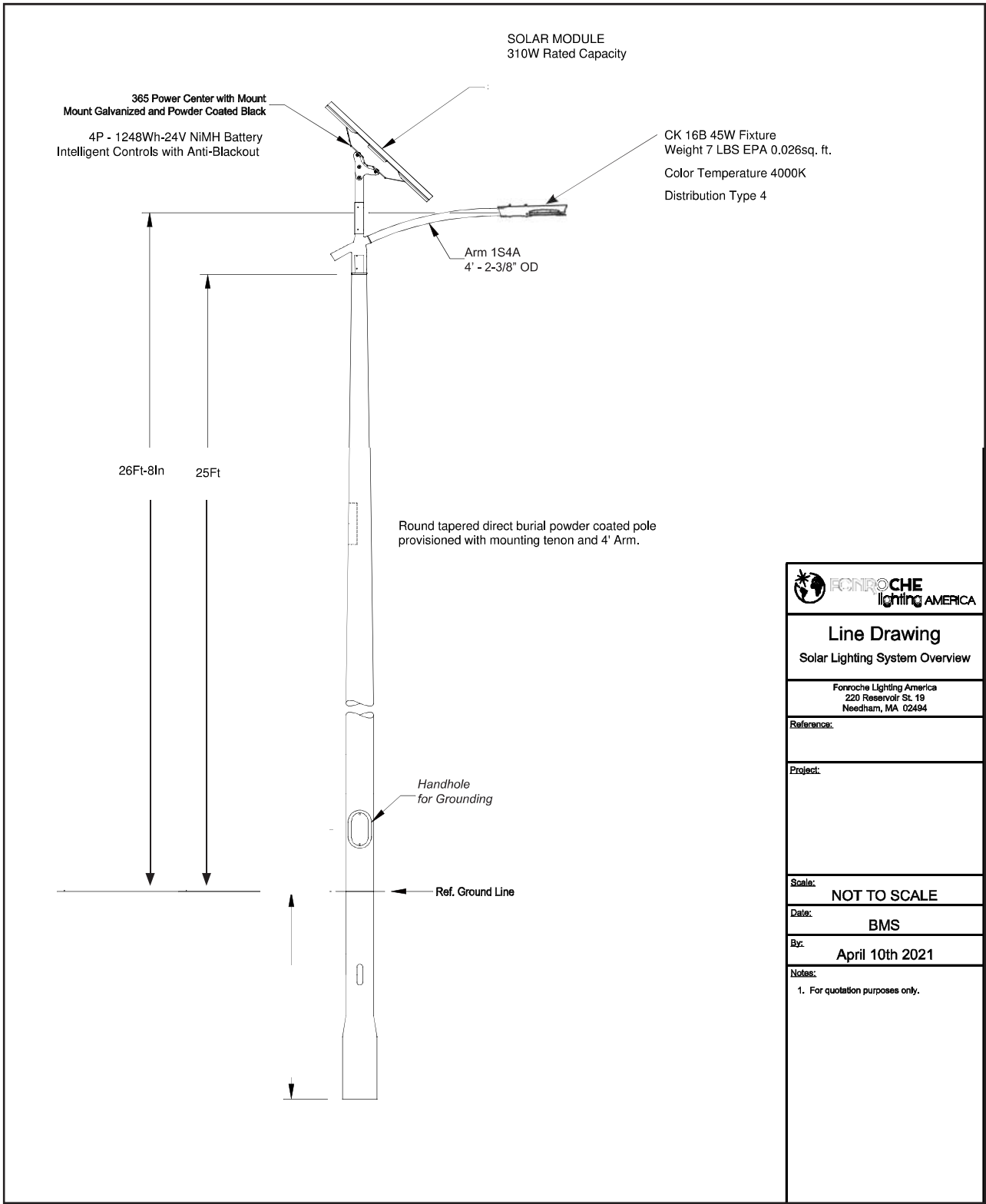
**Notes:** Panels require clear, unshaded solar access to the South.

## Lumen Values

Ordering Code	Nominal Wattage	Color Temp.	Type 2		Type 4	
			Lumen Output	Efficacy (LPW)	Lumen Output	Efficacy (LPW)
CK-16B-3K	50W	3000K	9500	190	9000	180
<b>CK-16B-4K</b>	50W	4000K	9500	190	9000	<b>180</b>

## Ordering Guide

Model	CCT		Distribution	Finish
<b>CK 16B</b>	<b>4K</b>		<b>T4</b>	<b>BK</b>
CK-16B	3K	3000K	T2 Type 2	BK Black
	4K	4000K	T4 Type 4 Medium	



**FONROCHE**  
lighting AMERICA

**Line Drawing**  
Solar Lighting System Overview

Fonroche Lighting America  
220 Reservoir St. 19  
Needham, MA 02494

Reference:

Project:

Scale: **NOT TO SCALE**

Date: **BMS**

By: **April 10th 2021**

Notes:  
1. For quotation purposes only.

TOTAL TOP OF POLE ASSEMBLY - PANEL, MOUNTING, 365 POWER CENTER

	Weight (Pounds)				EPA (Sq.Ft.)		
Solar Assembly	1P	2P	3P	4P	10° Tilt	25° Tilt	45° Tilt
P160F-HW-MC	102.73	113.31	123.89	134.48	2.67	3.89	7.45
P270F-HW-MC	120.37	130.95	141.53	152.12	4.48	7.24	13.93
<b>P310F-HW-MC</b>	120.37	130.95	141.53	<b>152.12</b>	<b>4.48</b>	7.38	14.36

